

Pegasus Elite

The Galaxy range represents a contemporary selection of modern lever designs and finishes, mixing clean lines with smooth radiused edges for maximum comfort when opening your door.

Square Rose

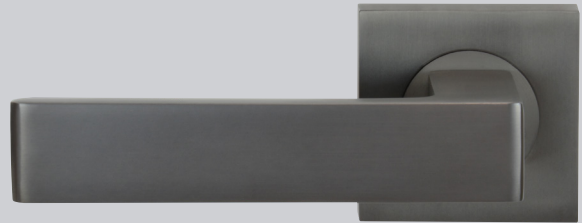
- 7211Lever Set
- 7211D.....Dummy Lever
- 7212Passage Set*
- 7213Privacy Set*
- 7214Entrance Set**
- 7215Privacy Set - Integrated*

- > Rose Lever Set
Includes Levers only
- > Rose Dummy Lever
Includes single Lever
- > Rose Passage Sets
Includes Levers and 1131 Tubular Latch - 60mm b/s
- > Rose Privacy Set - Seperate
Includes Levers, 1131 Tubular Latch and Privacy Bolt, Turn and Escape - 60mm b/s
- > Rose Privacy Set - Integrated
Includes Levers and Integrated Privacy Latch - 60mm b/s
- > Rose Entrance Set
Includes Levers, 1143 Euro Mortice Lock, 8081/8082 Escutcheons and 1148 Euro Cylinder and Turn - 60mm b/s

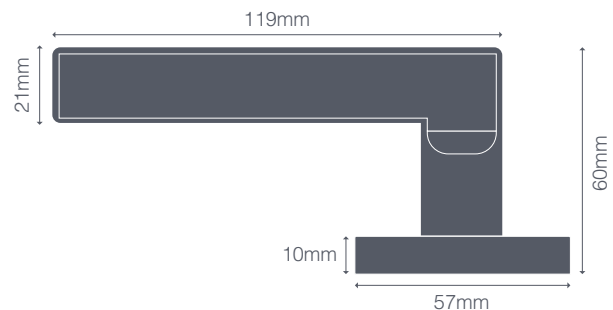
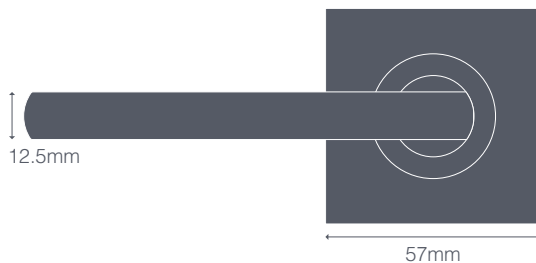
*Available with standard or magnetic latches. To upgrade any passage or privacy set to magnetic latches simply add an 'M' to the end of the existing 4 digit code.

**All entrance sets keyed alike on request

Galaxy



Dimensions



Specs

- > Constructed from zinc alloy
- > Suits door thicknesses of 32–50mm
- > For door thicknesses that exceed this, custom spindles and alternative fixings will need to be sourced
- > Suitable for interior and exterior use
- > Suitable for aluminium joinery
- > Compatible with 30mm lock backset
- > Upgraded latches provide a premium mechanism inside the door
- > Upgraded springing system and bearing surface ensuring perfect lever action that'll last forever

Installation

- > 60mm backset (see diagram)
- > 25mm spindle hole
- > Passage Set installation shown

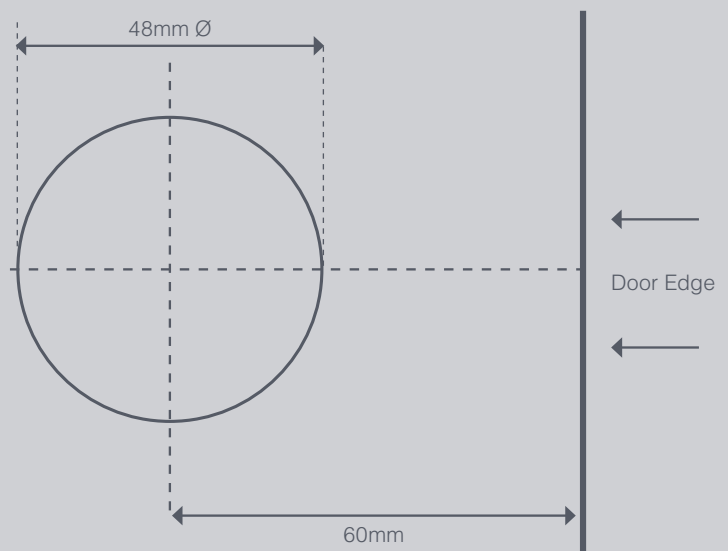
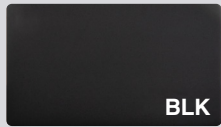


Diagram is not to scale, please refer to fitting instructions [here](#).

Finishes

Stocked



BLK

Matt Black



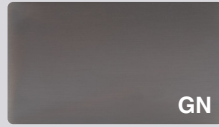
BN

Brushed Nickel



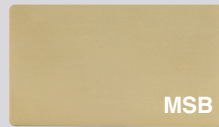
CCB

Cocoa Bronze



GN

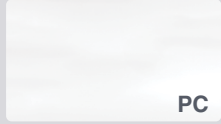
Graphite Nickel



MSB

Matt Satin Brass

Special



PC

Powdercoat

> Colours are from the Dulux range

To view this handle style in each finish option, visit our [website](#) and enter any product code listed on page 1 of this document.

Care & Maintenance

Stocked Finishes

To protect your handles we suggest cleaning the surface of your hardware periodically with a warm soapy lightly dampened cloth to remove any build-up of dust and grime that may cause corrosion and affect the integrity of the finish. Then simply dry thoroughly with a clean, soft cloth. Minimum of monthly cleaning of door handles is recommended for both finish preservation and general hygiene.

Atmospheric conditions, salt deposits, acids, caustic agents, cement or dust on construction sites all have the potential to cause discolouration to the surface.

Please avoid using any metal polishes, abrasive cleaners, scorers or rough cloths that may damage or scratch the hardware and do not spray or immerse the hardware in liquid to clean.