

Hydra Entrance Set

The Halo range has been designed as the ideal solution to retrofitting projects, with the large rose perfectly covering any existing 54mm holes in the door achieving a smart and contemporary look on original doors.

Rose

9101Key/Turn Entrance Set

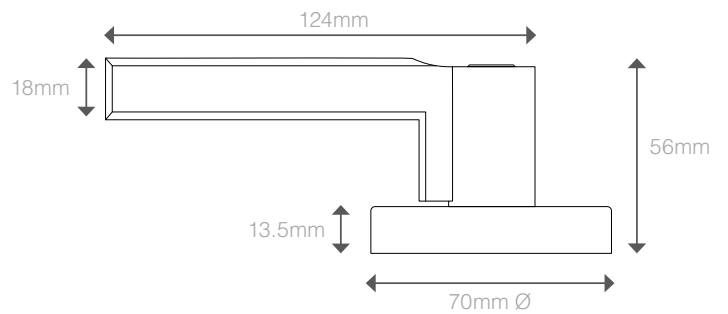
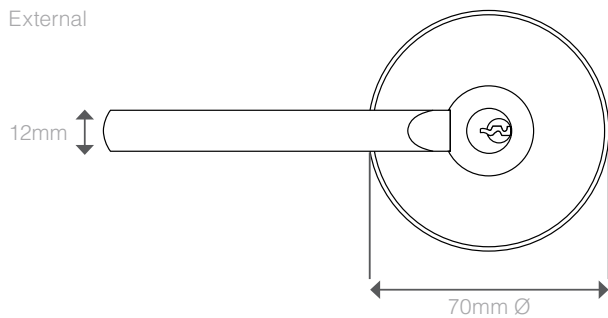
- > Entrance Set
Includes Levers and 60mm–70mm adjustable
Entrance Tubular Latch

Halo

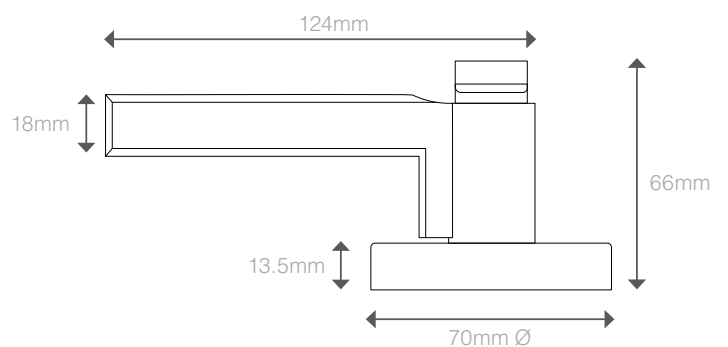
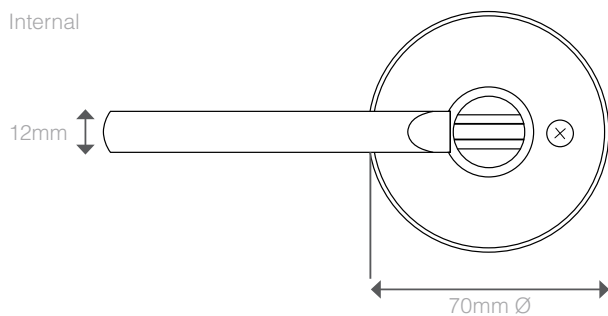


Dimensions

External



Internal



Specs

- > Large rose perfectly covers existing 54mm holes when retrofitting
- > Constructed from zinc alloy
- > Suits door thicknesses of 35–45mm
- > For door thicknesses that exceed this, custom spindles and alternative fixings will need to be sourced
- > Can be used externally

Installation

- > 60mm or 70mm backset (see diagram)
- > 54mm drillout hole

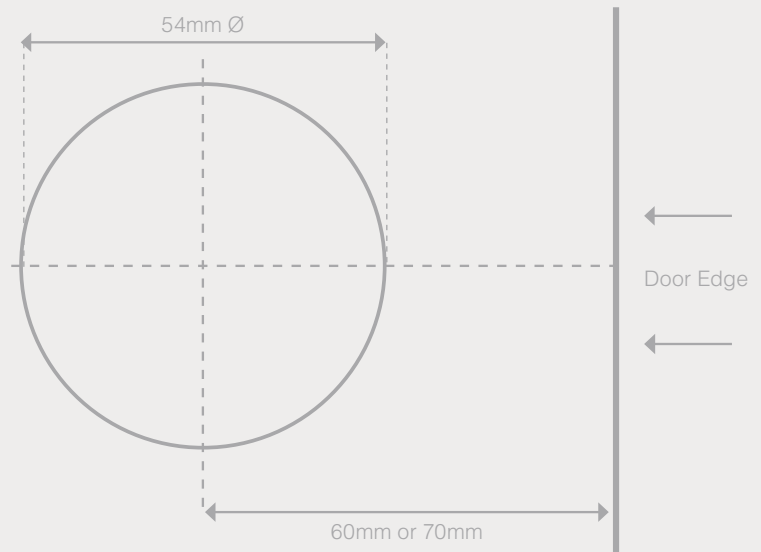


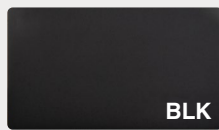
Diagram is not to scale, please refer to fitting instructions [here](#).

Finishes

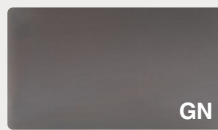
Stocked



Brushed Nickel



Matt Black



Graphite Nickel

To view this handle style in each finish option, visit our [website](#) and enter any product code listed on page 1 of this document.

Care & Maintenance

Stocked Finishes

To protect your handles we suggest cleaning the surface of your hardware periodically with a warm soapy lightly dampened cloth to remove any build-up of dust and grime that may cause corrosion and affect the integrity of the finish. Then simply dry thoroughly with a clean, soft cloth. Minimum of monthly cleaning of door handles is recommended for both finish preservation and general hygiene.

Atmospheric conditions, salt deposits, acids, caustic agents, cement or dust on construction sites all have the potential to cause discolouration to the surface.

Please avoid using any metal polishes, abrasive cleaners, scorers or rough cloths that may damage or scratch the hardware and do not spray or immerse the hardware in liquid to clean.