

# Magnetic Latch

Offer a simple and seamless operation. The latch remains flush with the door while open and is only thrown when the door is closed, activated by magnets embedded in the latch and strike plate.

## 60mm Backset Codes

- 1444 .....Magnetic Latch
- 1445 .....Integrated Privacy Magnetic Latch

## 70mm Backset Codes

- 1446 .....Magnetic Latch
- 1447 .....Integrated Privacy Magnetic Latch

## Specs

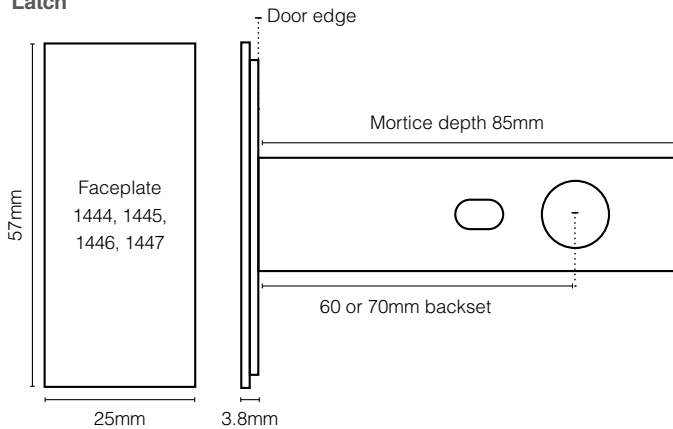
- > Fully flush on both the door edge and door jamb with no protruding tongue or strike.
- > Soft strike inner to reduce sound of the door latching.
- > Compatible for use across full Futura, Galaxy, NIDO, Traditional and Italian ranges.
- > Not recommended for steel or steel framed doors as the surfaces are all magnetic compromising the action of the latch.
- > Not for use on external doors.

## Installation

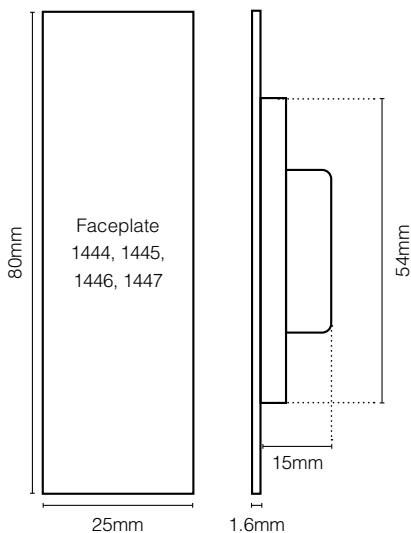
- > Available in 60mm and 70mm backset options.
- > Simple for retrofit with 3 striker sizes available.
- > Strike adjusts up to 4mm either way via two screws to keep your door rattle free.

## Product Dimensions

### Latch



### Strike



Please note diagrams are not to scale.

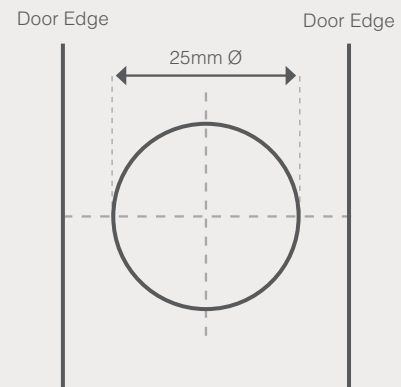
# Accessories



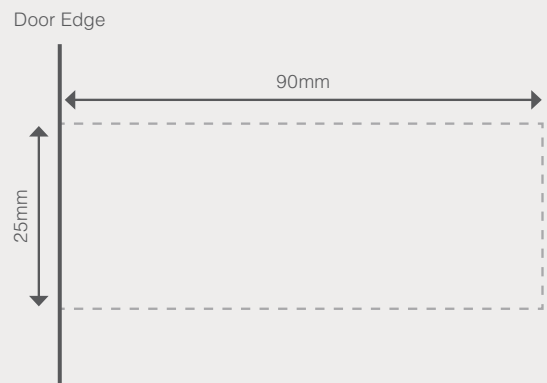
Scan the QR to watch  
the latch in action



## Installation Diagram - Door Edge View



## Installation Diagram - Door Side View



Please note this latch is still the same cutout as our 1131 & 1358 latches.

# Magnetic Latches

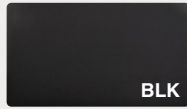
# Accessories

## Finishes

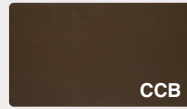
### Stocked



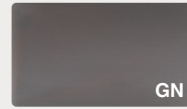
Brushed Nickel



Matt Black



Cocoa Bronze



Graphite Nickel



Matt Satin Brass

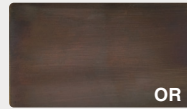
### Living



Dark Roman Brass



Natural Bronze



Oil Rubbed Bronze



Roman Brass



Unlacquered Brass

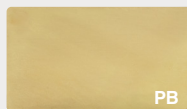


Unlacquered Satin Brass

### Lacquered

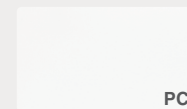


Antique Bronze



Polished Brass

### Powdercoat



Powdercoat

> Colours are from the Dulux range

To view this handle style in each finish option, visit our [website](#) and enter any product code listed on page 1 of this document.

## Care & Maintenance

### Stocked Finishes

To protect your handles we suggest cleaning the surface of your hardware periodically with a warm soapy lightly dampened cloth to remove any build-up of dust and grime that may cause corrosion and affect the integrity of the finish. Then simply dry thoroughly with a clean, soft cloth. Minimum of monthly cleaning of door handles is recommended for both finish preservation and general hygiene.

Atmospheric conditions, salt deposits, acids, caustic agents, cement or dust on construction sites all have the potential to cause discolouration to the surface.

Please avoid using any metal polishes, abrasive cleaners, scorers or rough cloths that may damage or scratch the hardware and do not spray or immerse the hardware in liquid to clean.

### Living Finishes

The living finishes will naturally patina over time with general use. As with all living and aging finishes, it is recommended to clean the surface periodically with a damp soapy cloth to remove any build up of dust and grime that may cause corrosion and affect the integrity of the finish.

Unlacquered Brass can be further protected by using the Windsor wax polish occasionally, rubbing this lightly over the surface will provide a layer of protection for extended finish longevity.

Oil Rubbed Bronze, Roman Brass and Dark Roman Brass can be preserved by gently applying a thin oil layer to the surface from time to time. Wipe a thin layer of olive oil (or similar) over the handle then with a clean cloth wipe again to remove any excess on the surface.

### Lacquered Finishes

The finishes with a lacquer are recommended to be kept free of dust and grime to prevent any chance of these particles affecting the integrity of the lacquer and potentially causing breakdown or discolouration. We suggest these are wiped and cleaned periodically using a mild window cleaner and damp cloth.

Gloss Lacquered finishes may get some light surface scratches appearing with normal wear and tear, for this we recommend using the Windsor wax polish occasionally, rubbing this lightly over the affected area to will provide a layer of protection for extended finish longevity.

We do not recommend Lacquered Finishes to be used externally as if badly scratched or damaged tarnishing can occur.