

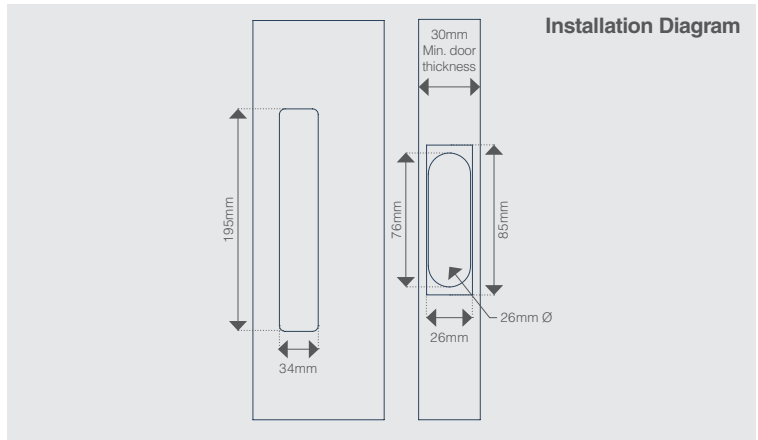
Product Code
5690

LUME - Passage - Timber Door

Step 1 - Flush Pull Crop Out*

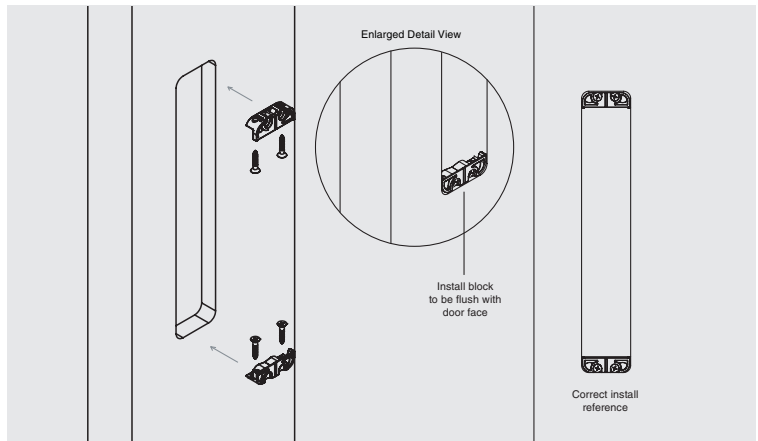
- A. Mark desired backset (35mm minimum) if installing with edge pull.
- B. Cut desired Rebate Option.

*REFER TO DETAILED CROP OUT TEMPLATE PROVIDED.



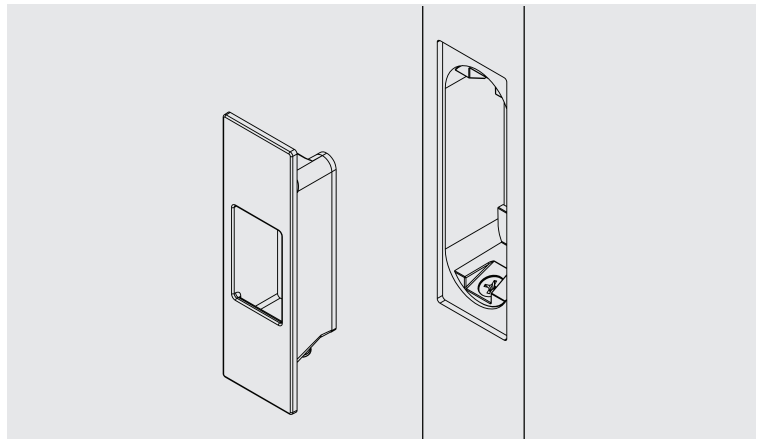
Step 2 - Install Blocks

- A. Apply install blocks to flush pull rebate.
- B. Use 4 x supplied wood screws fix vertically.
- C. Repeat for the opposite side.



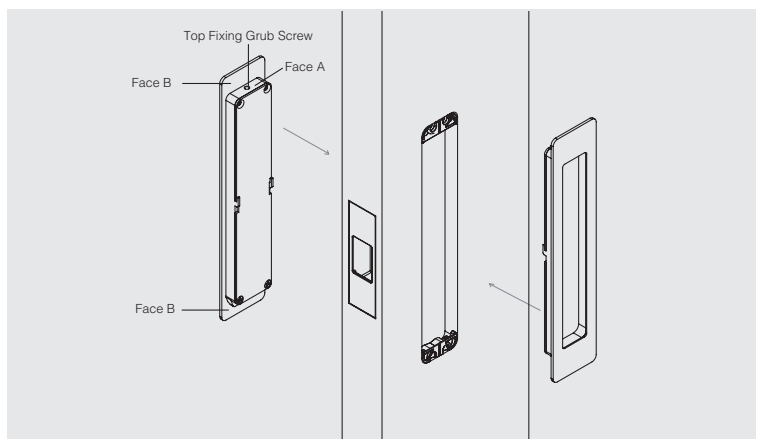
Step 3 - Edge Pull Installation

- A. Follow instructions from standalone 5411 / 5610 Edge Pull.



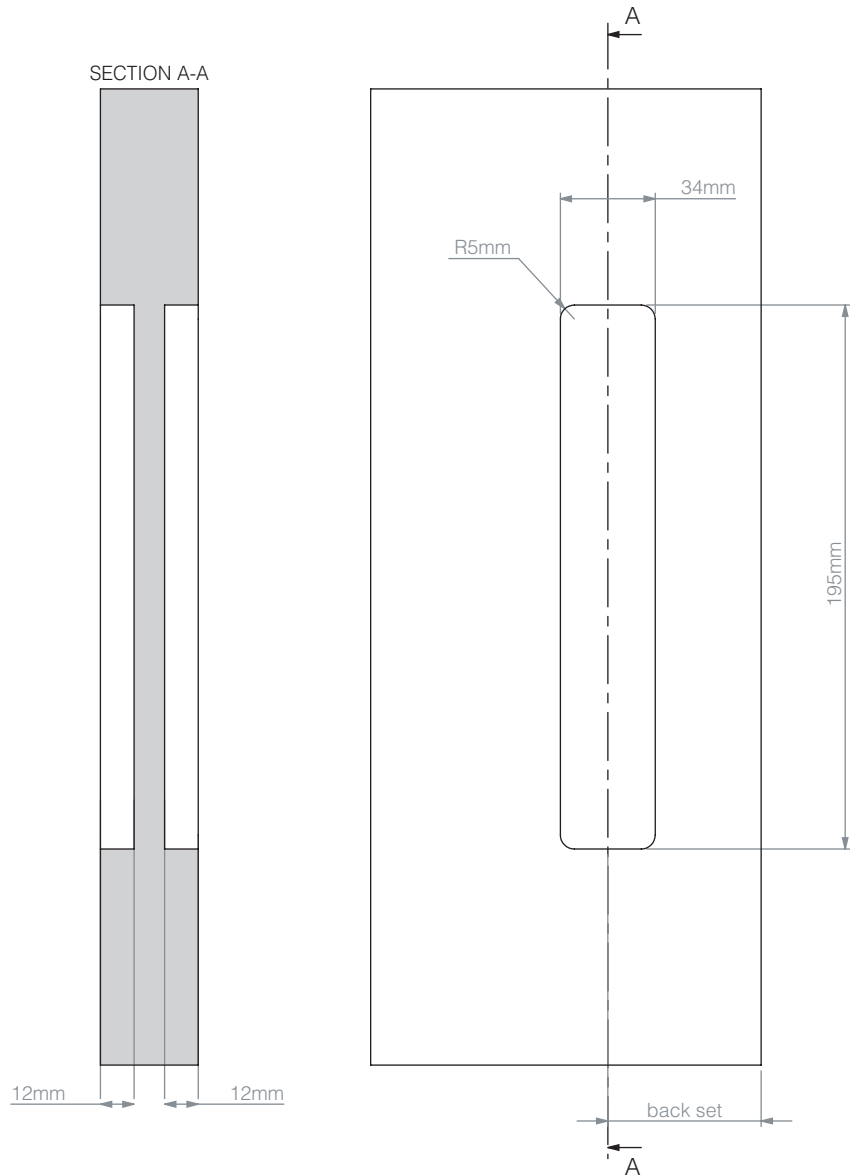
Step 4 - Flush Pull Installation

- A. Ensure the top fixing grub screw is flush or sub flush with face A.
- B. Insert the flush pull in place ensuring that face B sits hard up against the door face.
- C. Tighten the top fixing grub screw to lock the flush pull in place.
- D. Repeat steps for opposite side.



- A.** Mark desired backset (35mm minimum) if installing with egde pull.
- B.** Cut desired Rebate Option.

**FLUSH PULL REBATE OPTION 1
(Vertical fixed install blocks)**



**FLUSH PULL REBATE OPTION 2
(Vertical fixed install blocks)**

