

Product Code  
5620

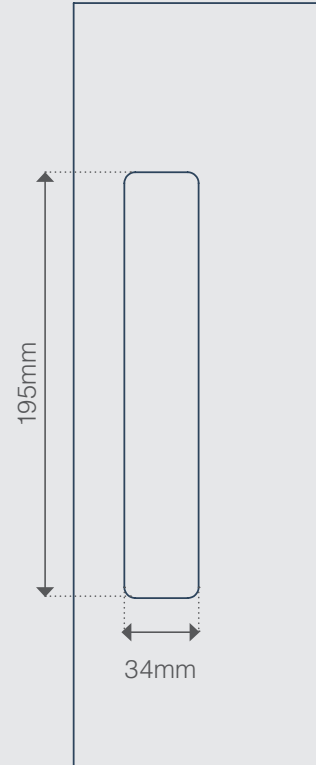
### LUME – Single Flush Pull - Timber Door

#### Step 1 - Flush Pull Crop Out\*

- Mark desired backset.
- Cut Rebate at a depth of 12mm minimum.

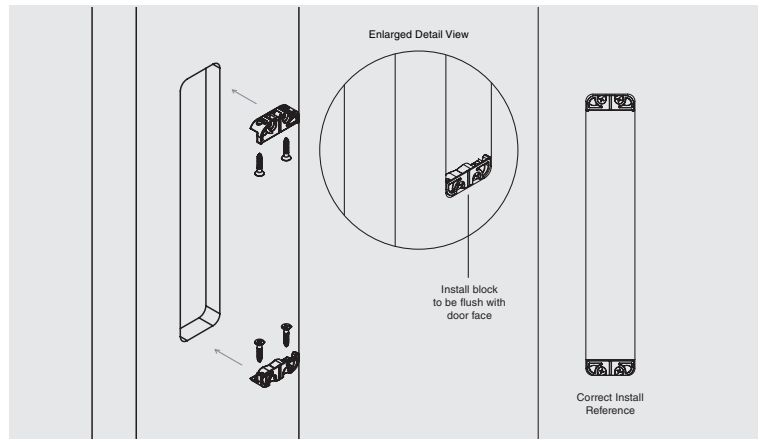
\*REFER TO DETAILED CROP OUT TEMPLATE PROVIDED.

Installation Diagram



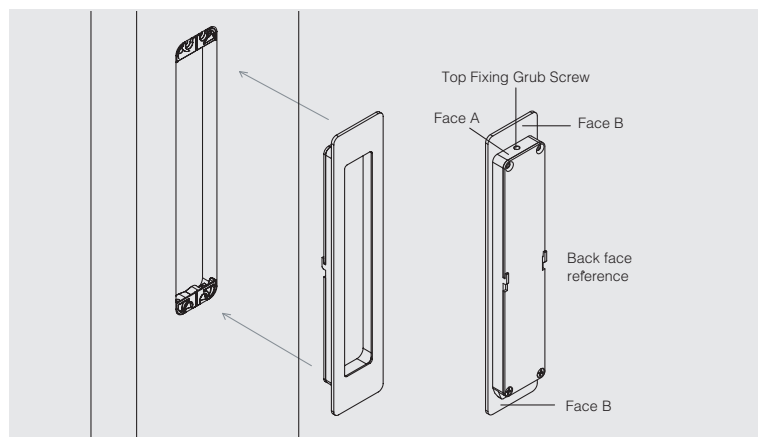
#### Step 2 - Install Blocks

- Apply install blocks to flush pull rebate.
- Use 4 x supplied wood screws fix vertically.



#### Step 3 - Flush Pull Installation

- Ensure the top fixing grub screw is flush or sub flush with face A.
- Insert the flush pull in place ensuring that face B sits hard up against the door face.
- Tighten the top fixing grub screw to lock the flush pull in place.



**Product Code**  
5620

**LUME – Single Flush Pull (200mm) - Timber Door**

**FLUSH PULL REBATE**  
**(Vertical fixed install blocks)**

- A. Mark desired backset.
- B. Cut Rebate at a depth of 12mm minimum.

