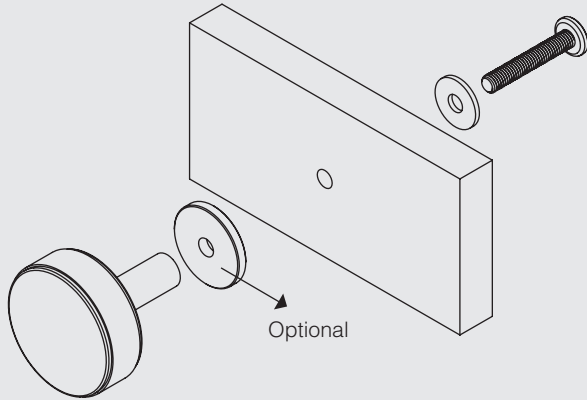


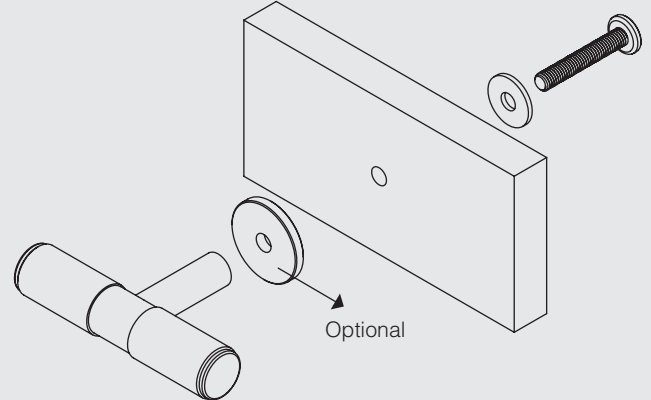
BRASS CABINET KNOBS

Product codes: 6520 | 6521 | 6522
6523 | 6524 | 6525

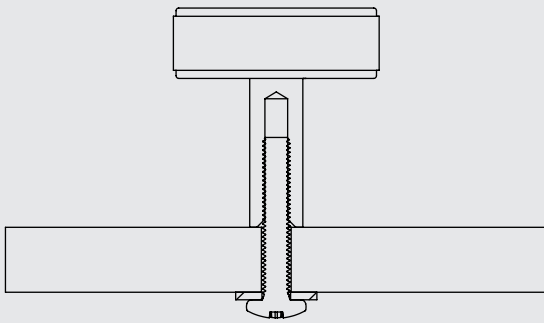
Round Knob



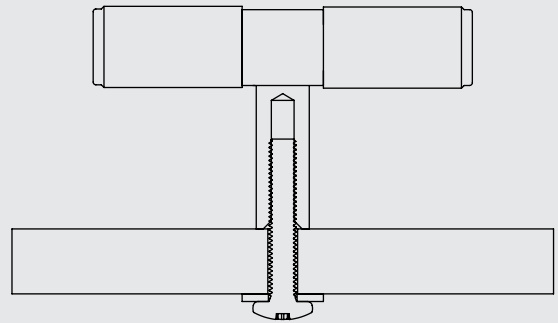
T-Bar Knob



Round Knob



T-Bar Knob

**Includes:**

- 1x Brass Cabinet Knob
- 1x M5 Screw*
- 1x Washer
- 1x Mounting Disc (optional)

1. Mark the fixing position for the cabinet knob on the door/drawer. Ensure adequate space is provided for clearance of knuckles when opening cabinetry.
2. Drill one 5.5mm diameter hole at the marked fixing position for the leg centre.
3. Hold the cabinet knob up so the leg aligns with the pre-drilled 5.5mm diameter hole.
Thread the screw through the washer, then the cabinet front, into mounting discs (if including) finishing with the leg of the cabinet knob.
Tighten the screw by using a screwdriver to fix them in position.
4. Ensure that you do not overtighten the screw. The washer should not bite in.

* non standard cabinet thicknesses may require longer screws.