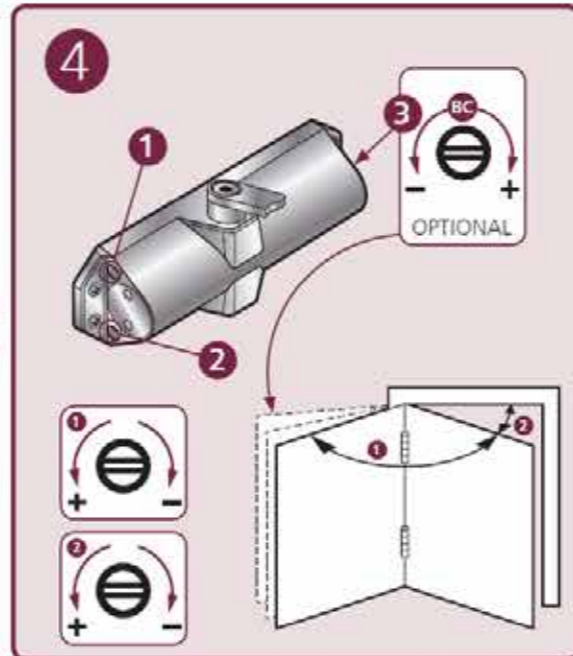
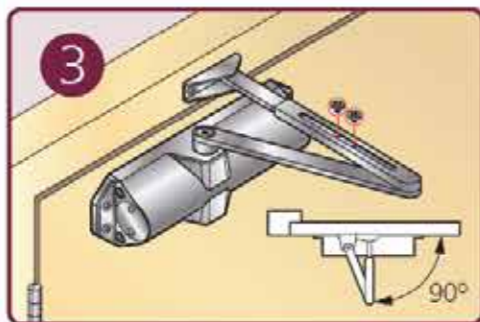
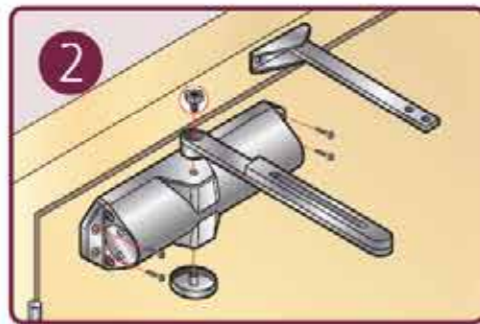
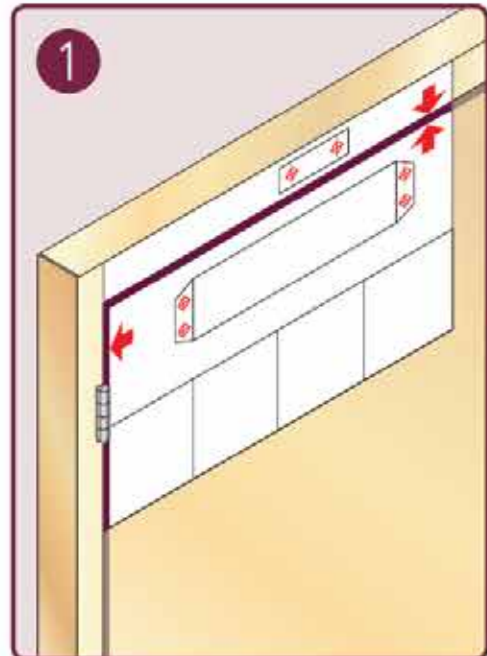
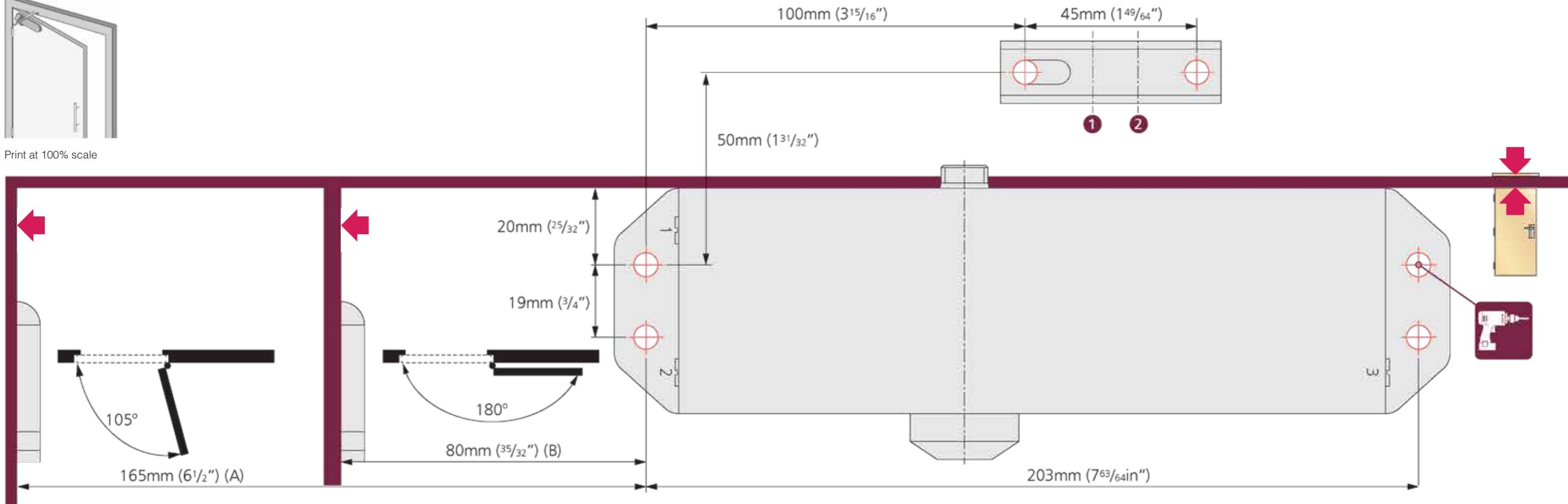




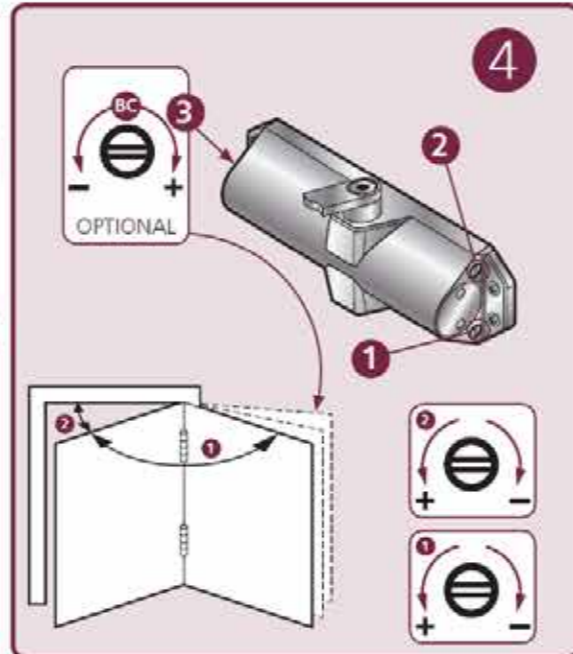
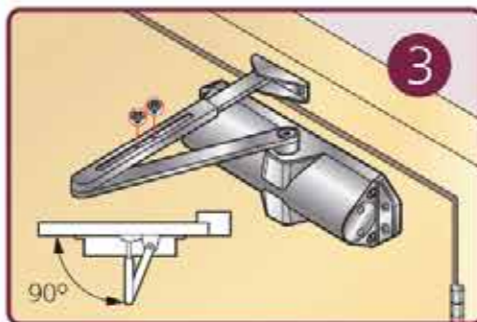
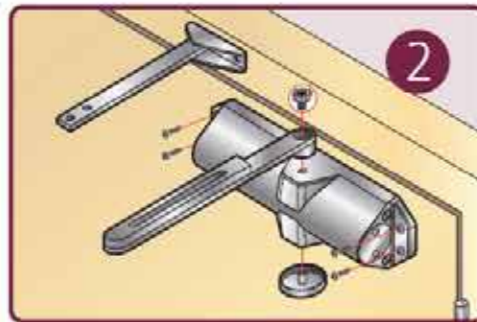
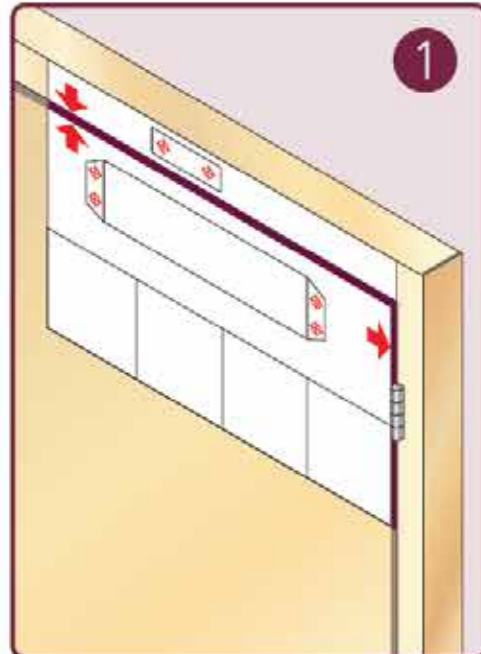
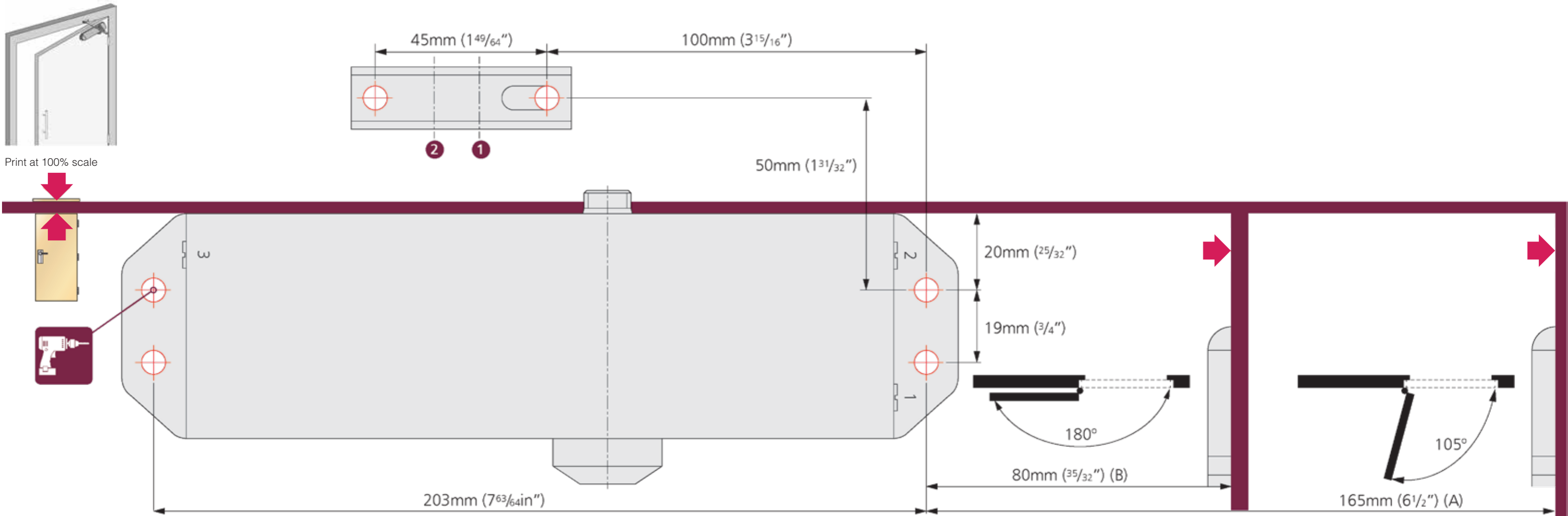
Print at 100% scale



EN 2-4 Power Adjustment

| Body Position | EN Size | Shoe Position | Max. door width | Max. opening angle | Max weight |
|---------------|---------|---------------|-----------------|--------------------|------------|
| B | 2 | 2 | 830mm | 180° | 45 |
| B | 3 | 1 | 930mm | 180° | 60 |
| A | 3 | 2 | 930mm | 105° | 60 |
| A | 4 | 1 | 1030mm | 105° | 80 |

The Pinion Bolt must be tightened to 12NM.



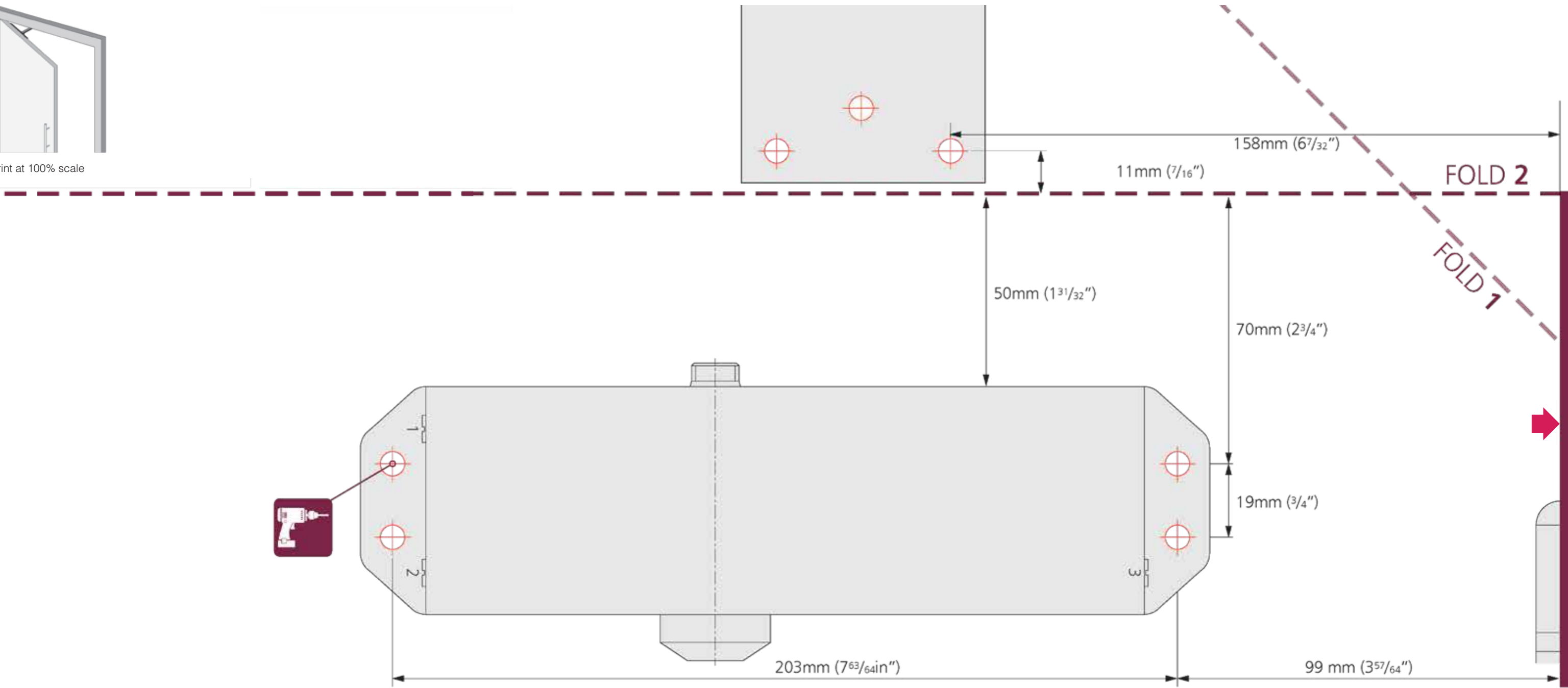
EN 2-4 Power Adjustment

| Body Position | EN Size | Shoe Position | Max. door width | Max. opening angle | Max weight |
|---------------|---------|---------------|-----------------|--------------------|------------|
| B | 2 | 2 | 830mm | 180° | 45 |
| B | 3 | 1 | 930mm | 180° | 60 |
| A | 3 | 2 | 930mm | 105° | 60 |
| A | 4 | 1 | 1030mm | 105° | 80 |

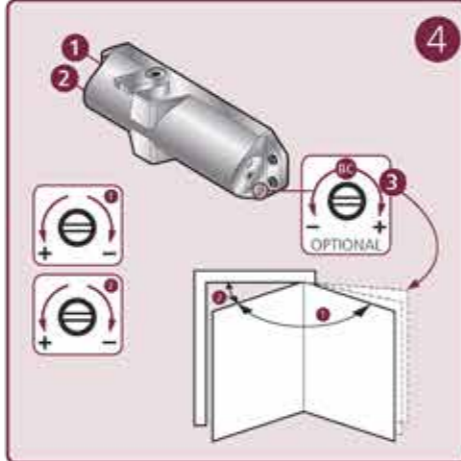
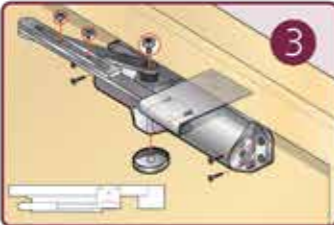
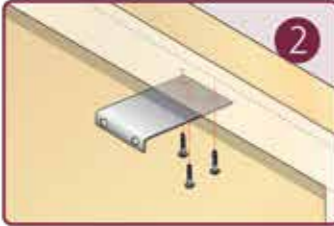
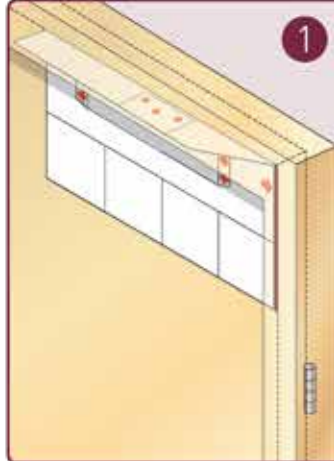
The Pinion Bolt must be tightened to 12NM.



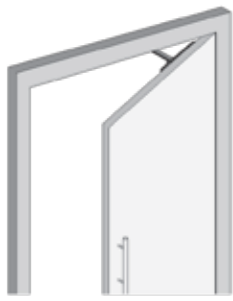
Print at 100% scale



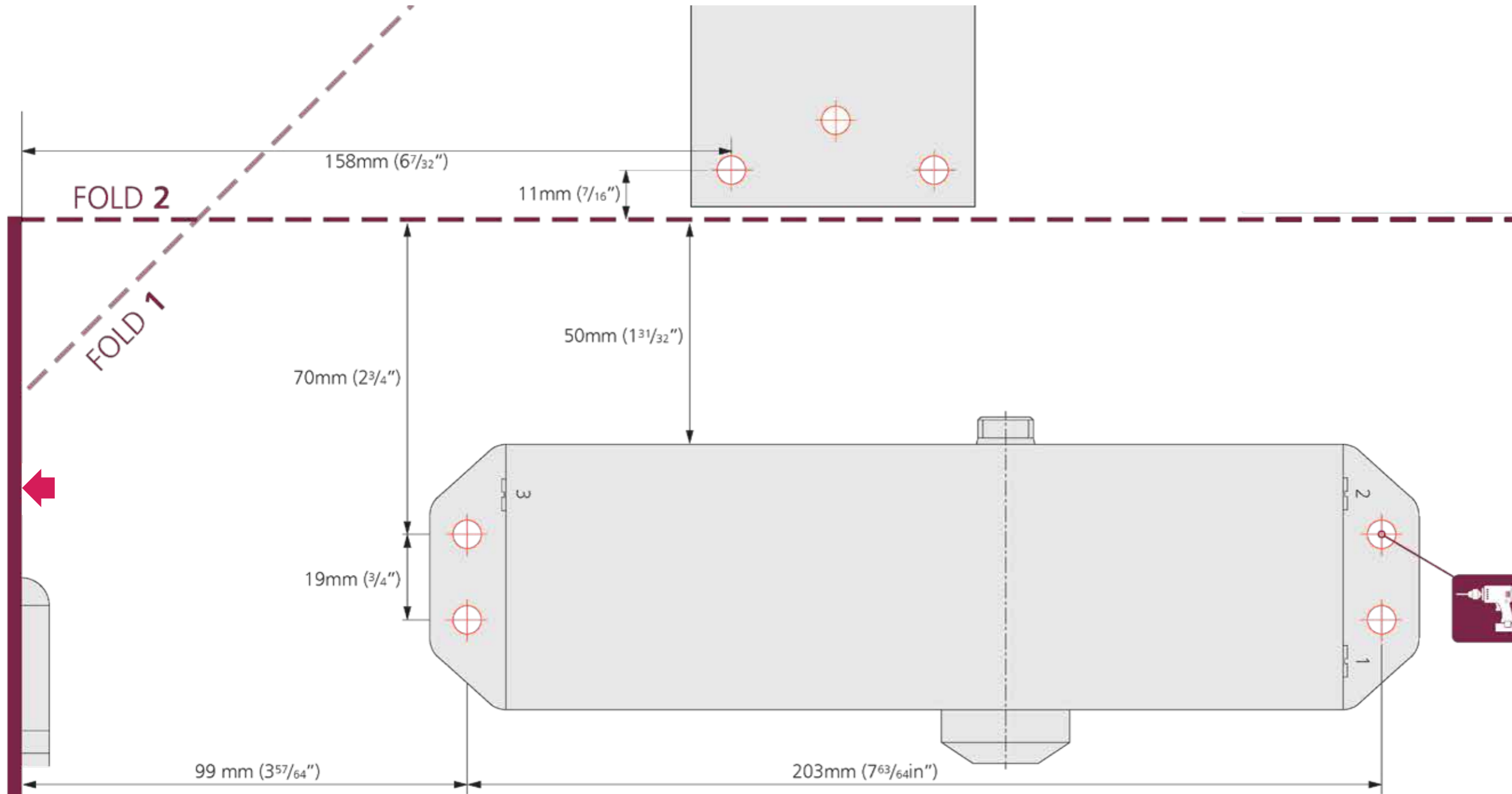
The Pinion Bolt must be tightened to 12NM.



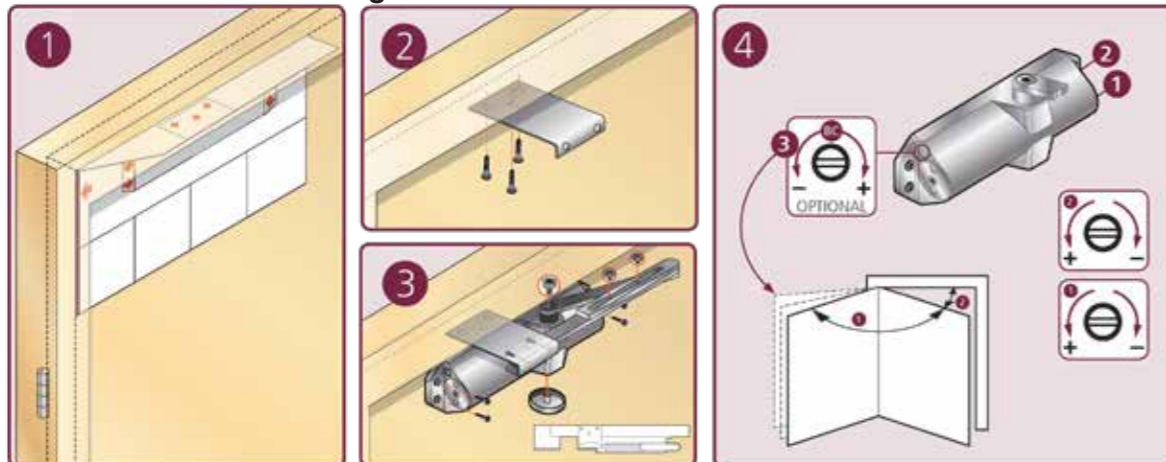
| EN 3 Power | | | |
|------------|-----------------|--------------------|------------|
| EN Size | Max. door width | Max. opening angle | Max weight |
| 3 | 930mm | 180° | 60 |



Print at 100% scale



The Pinion Bolt must be tightened to 12NM.



| EN 3 Power | | | |
|------------|-----------------|--------------------|------------|
| EN Size | Max. door width | Max. opening angle | Max weight |
| 3 | 930mm | 180° | 60 |