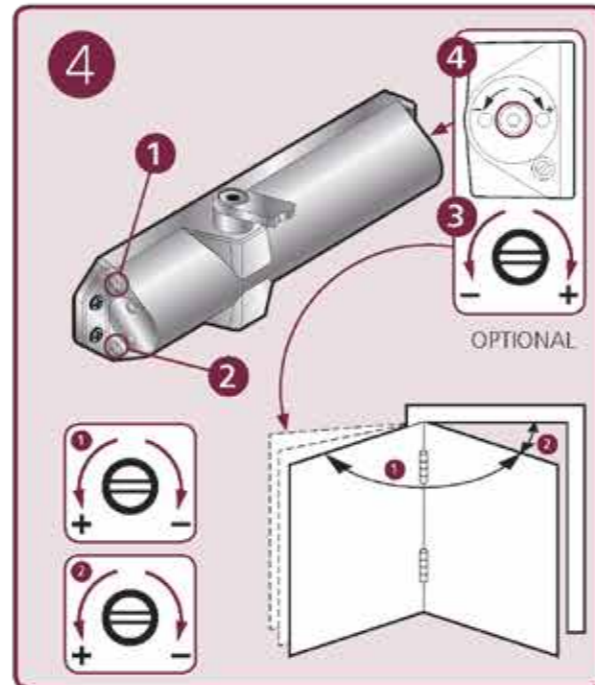
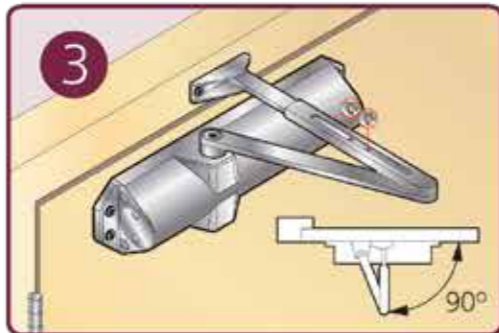
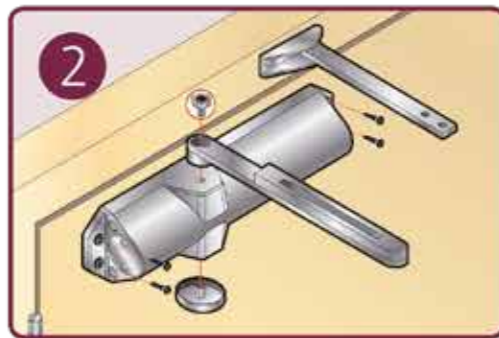
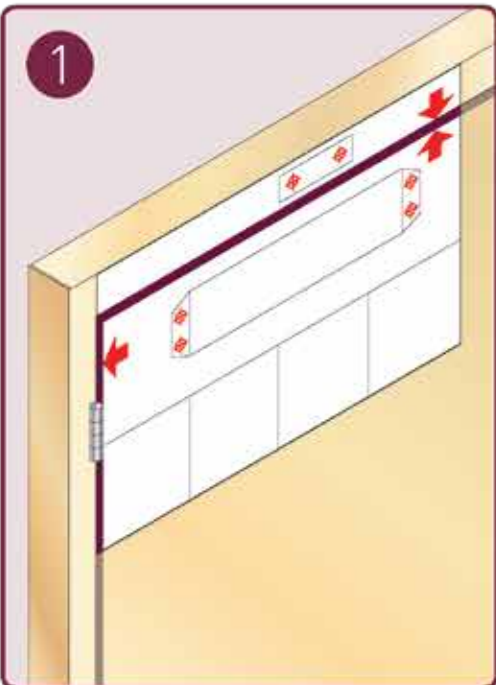


Print at 100% scale

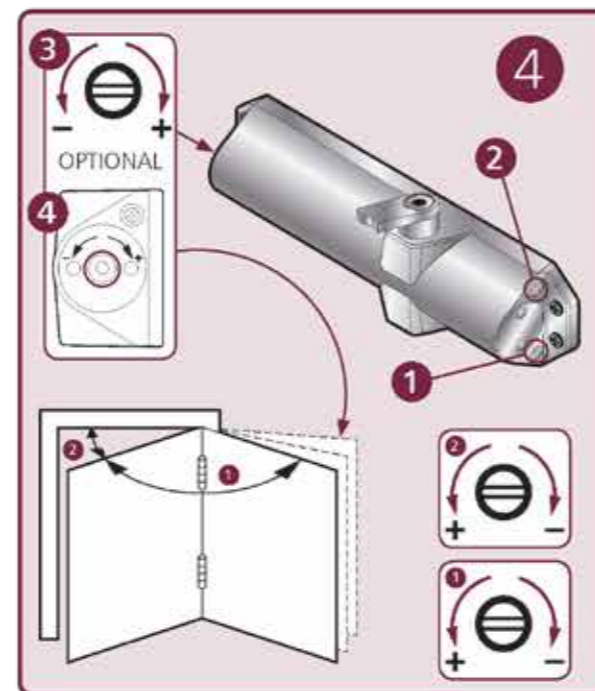
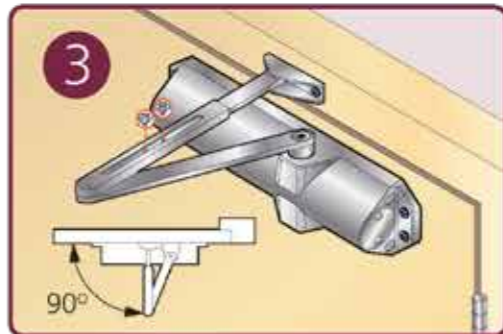
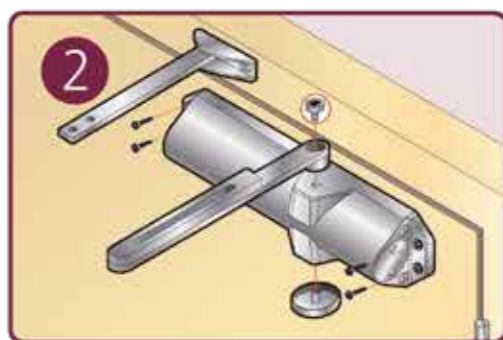
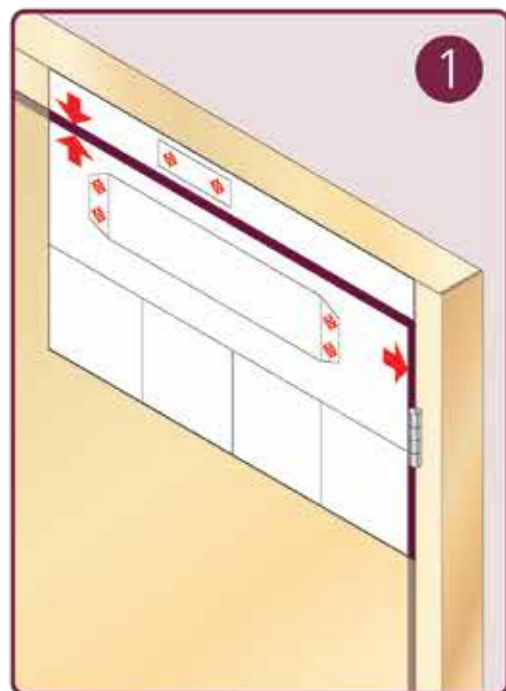
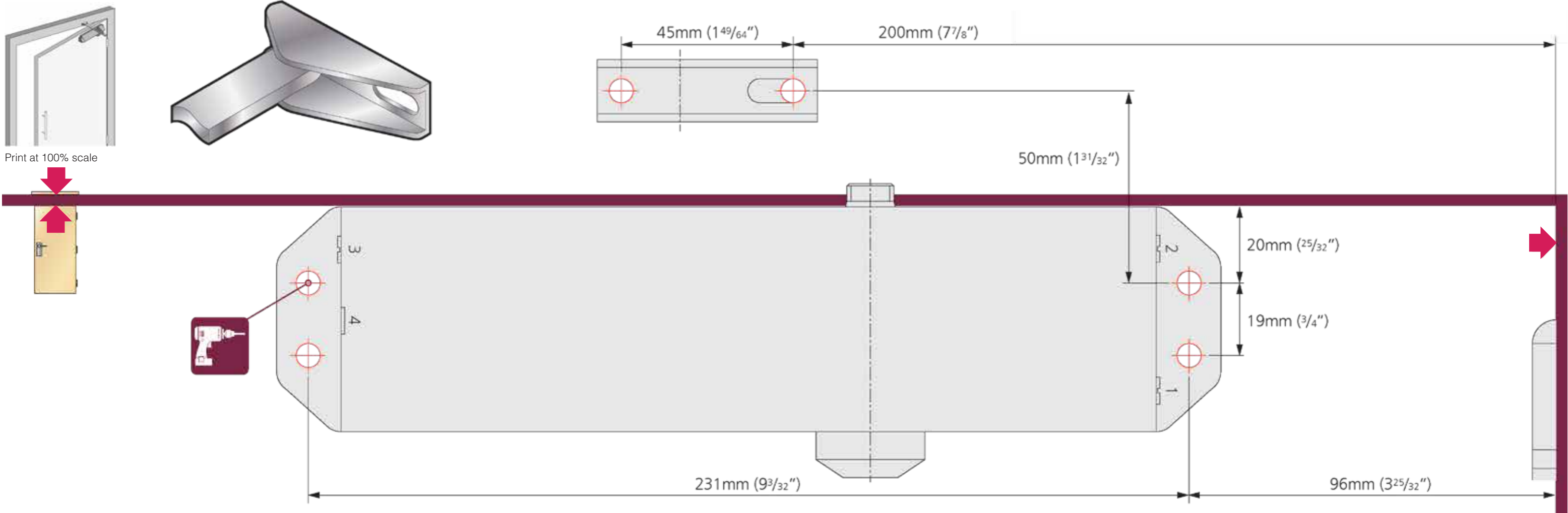


EN 2-4 Power Adjustment

No. of turns	EN Size	Max. door width	Max. opening angle	Max weight
-3	2	850mm	180°	45
+0	3	950mm	180°	60
+3	4	1100mm	180°	80

* FACTORY PRE-SET

The Pinion Bolt must be tightened to 12NM.



EN 2-4 Power Adjustment

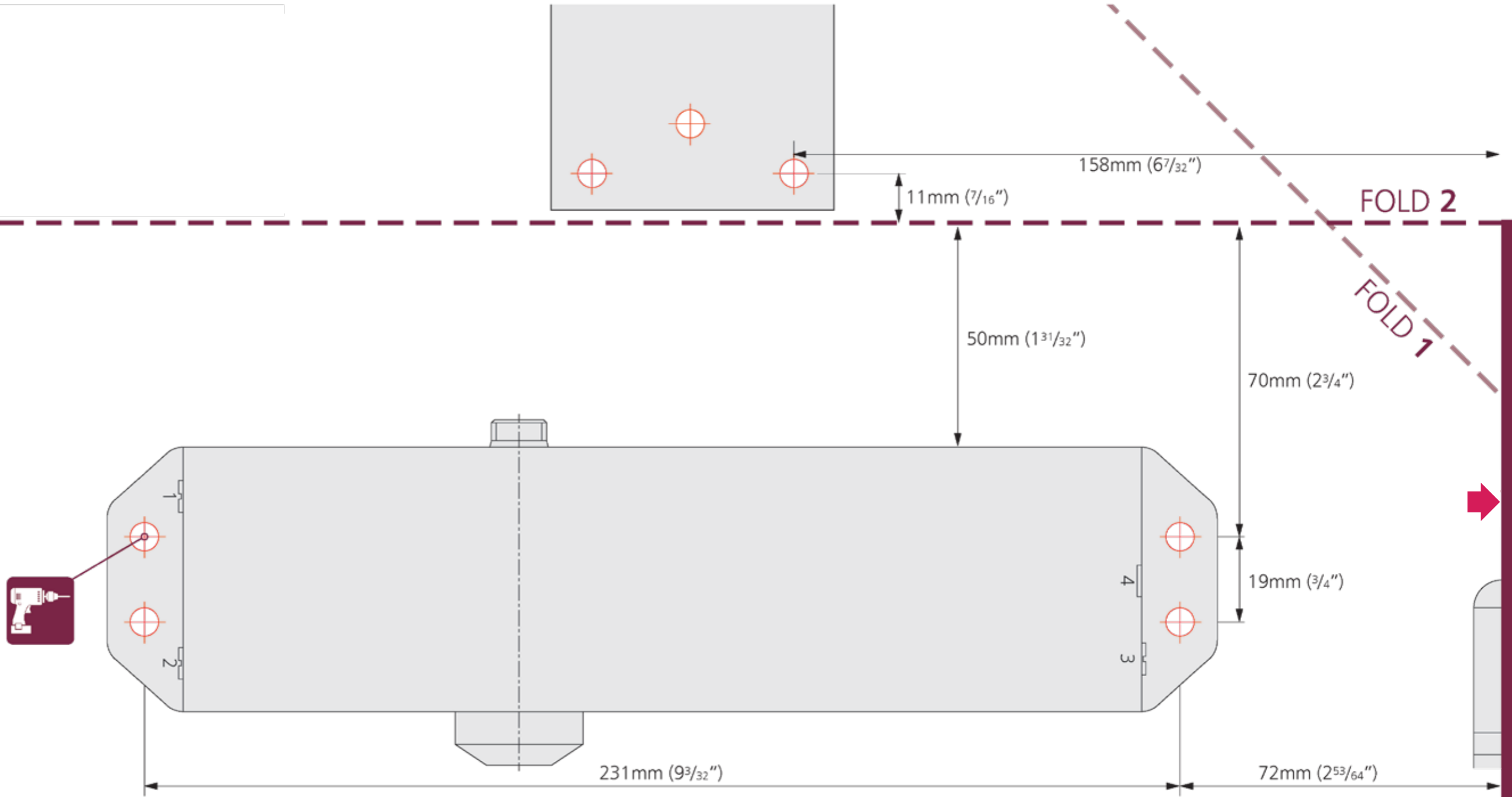
No. of turns	EN Size	Max. door width	Max. opening angle	Max weight
-3	2	850mm	180°	45
+0	3	950mm	180°	60
+3	4	1100mm	180°	80

* FACTORY PRE-SET

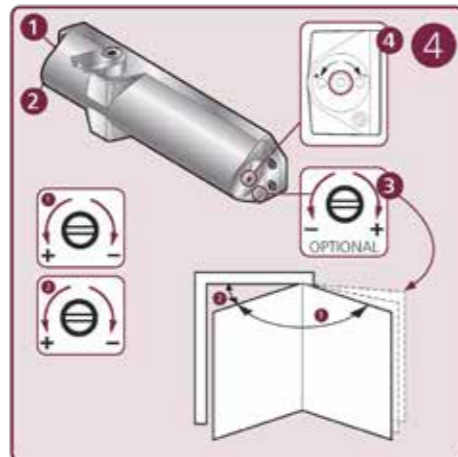
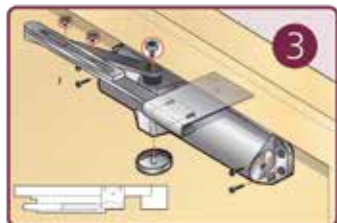
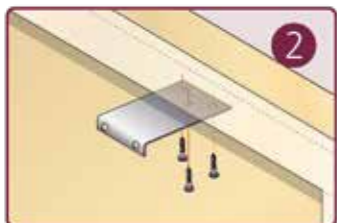
The Pinion Bolt must be tightened to 12NM.



Print at 100% scale

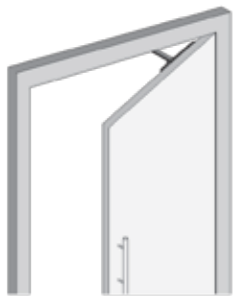
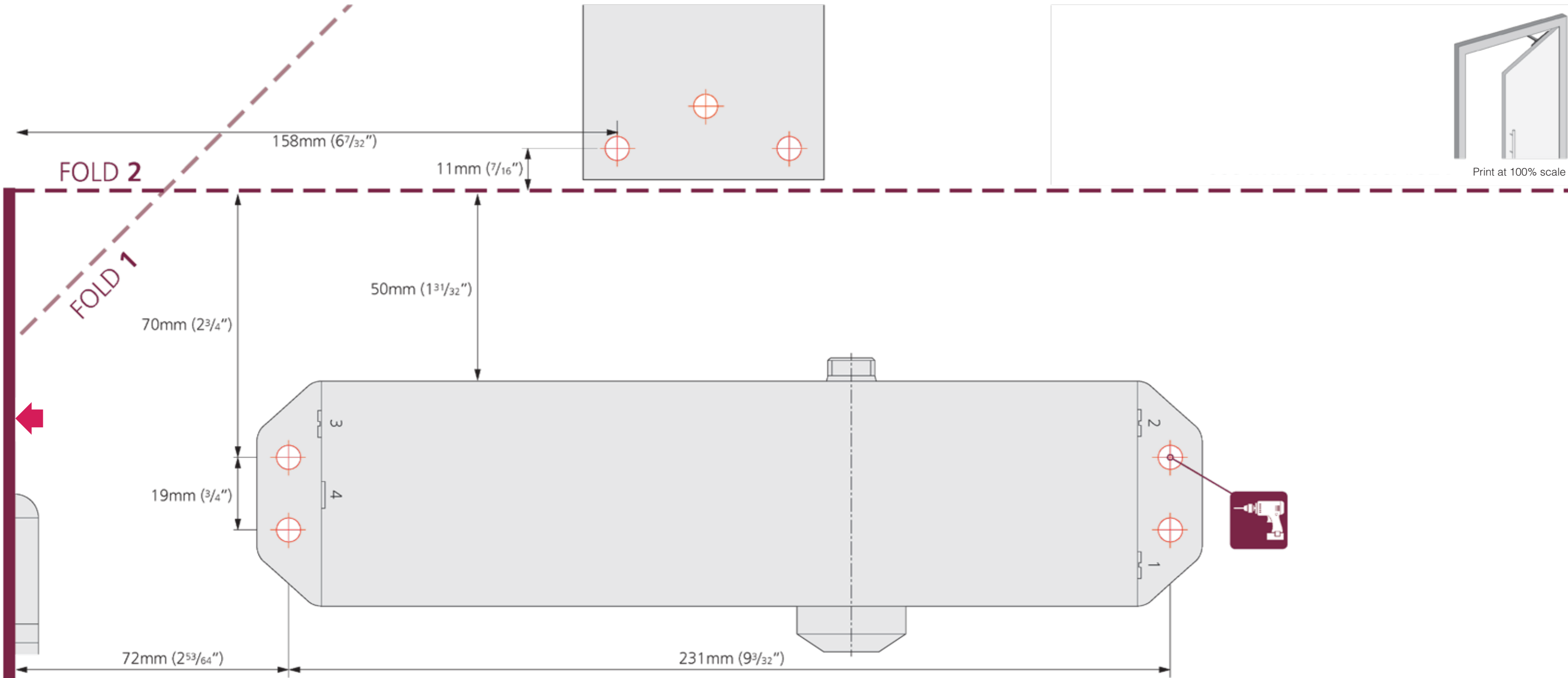


The Pinion Bolt must be tightened to 12NM.



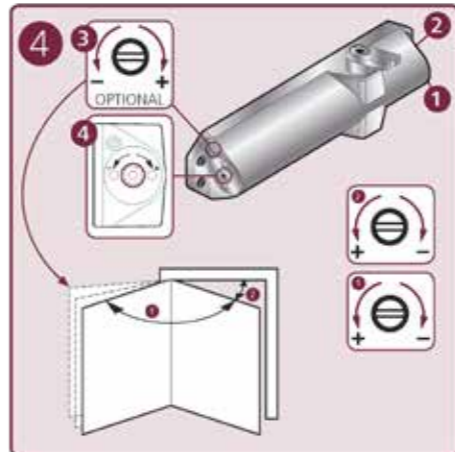
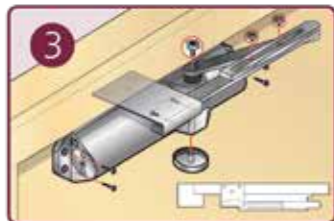
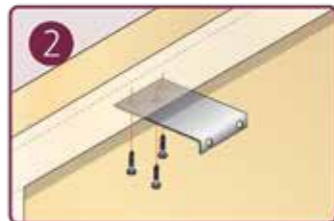
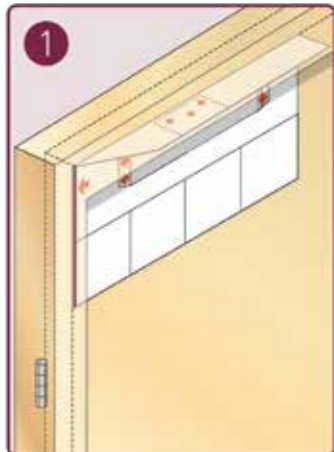
EN 2-4 Power Adjustment				
No. of turns	EN Size	Max. door width	Max. opening angle	Max weight
-3	2	850mm	180°	45
+0	3	950mm	180°	60
+3	4	1100mm	180°	80

* FACTORY PRE-SET



Print at 100% scale

The Pinion Bolt must be tightened to 12NM.



EN 2-4 Power Adjustment				
4	EN Size	Max. door width	Max. opening angle	KG
-3	2	850mm	180°	45
+0	3	950mm	180°	60
+3	4	1100mm	180°	80

* FACTORY PRE-SET