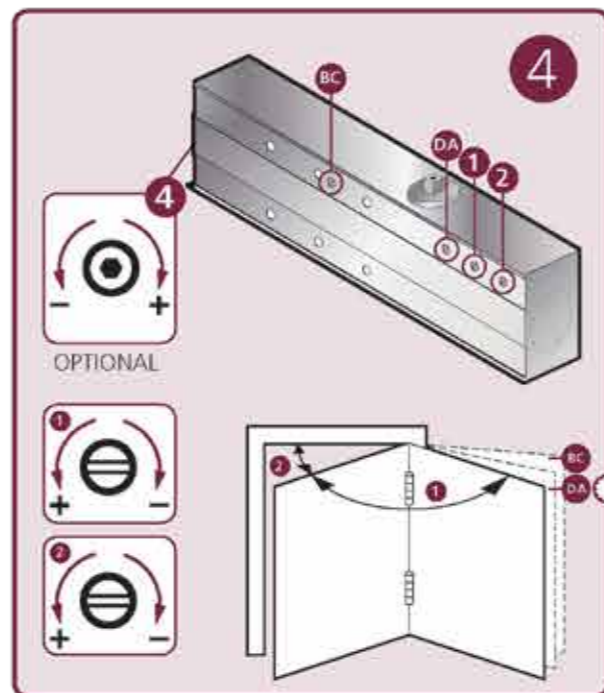
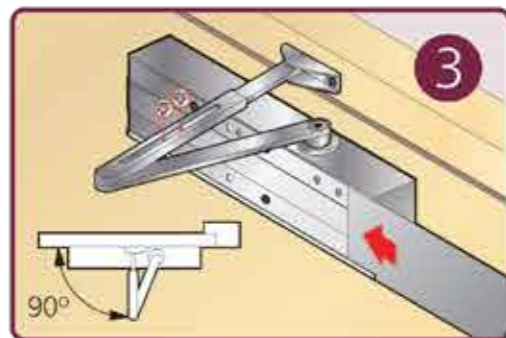
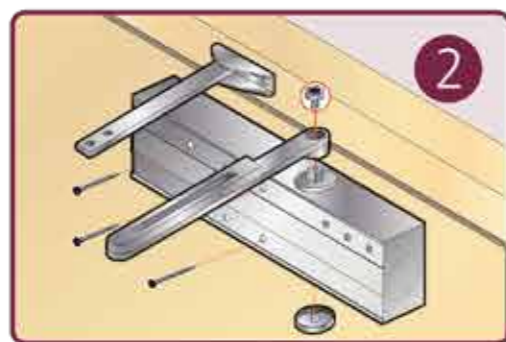
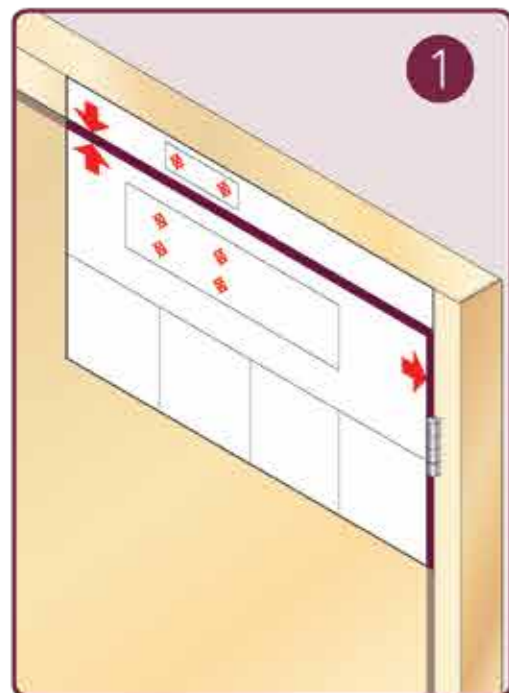
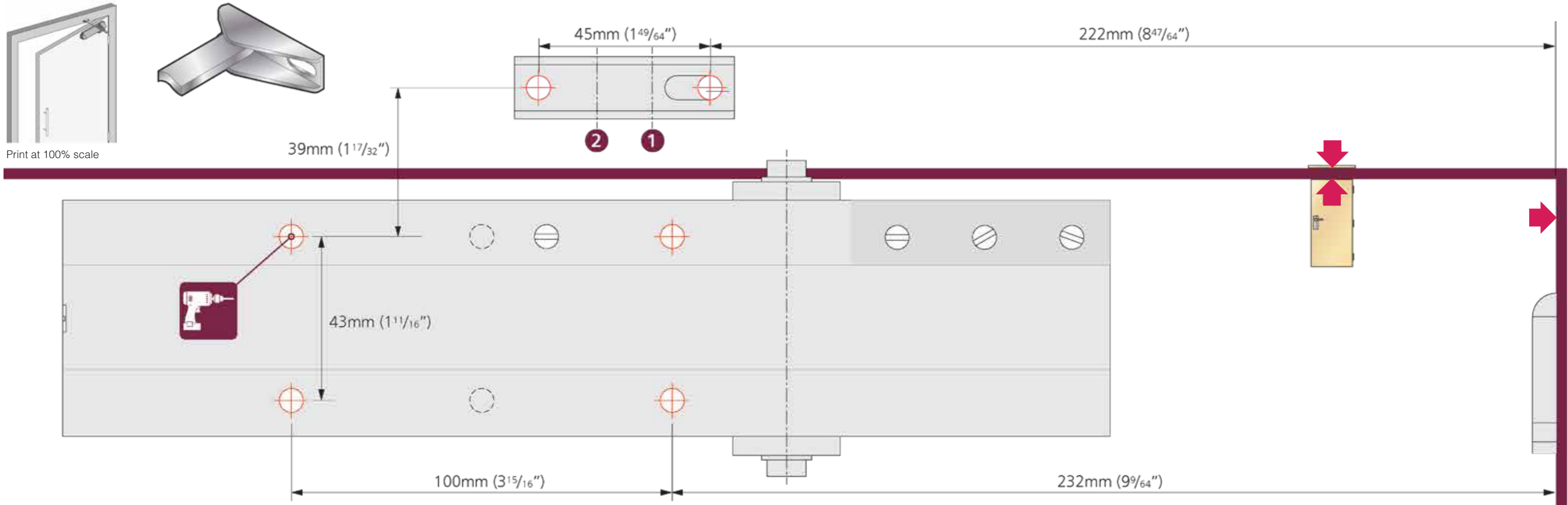


EN 2-6 Power Adjustment

No. of turns	EN Size	Shoe Position	Max. door width	Max. opening angle	Max weight
-5	2	2	850mm	180°	45
+0	3	2	950mm	180°	60
+0	4	1	1100mm	180°	80
+3	5	1	1250mm	180°	110
+8	6	1	1400mm	110°	120

* FACTORY PRE-SET

The Pinion Bolt must be tightened to 12NM.



EN 2-6 Power Adjustment

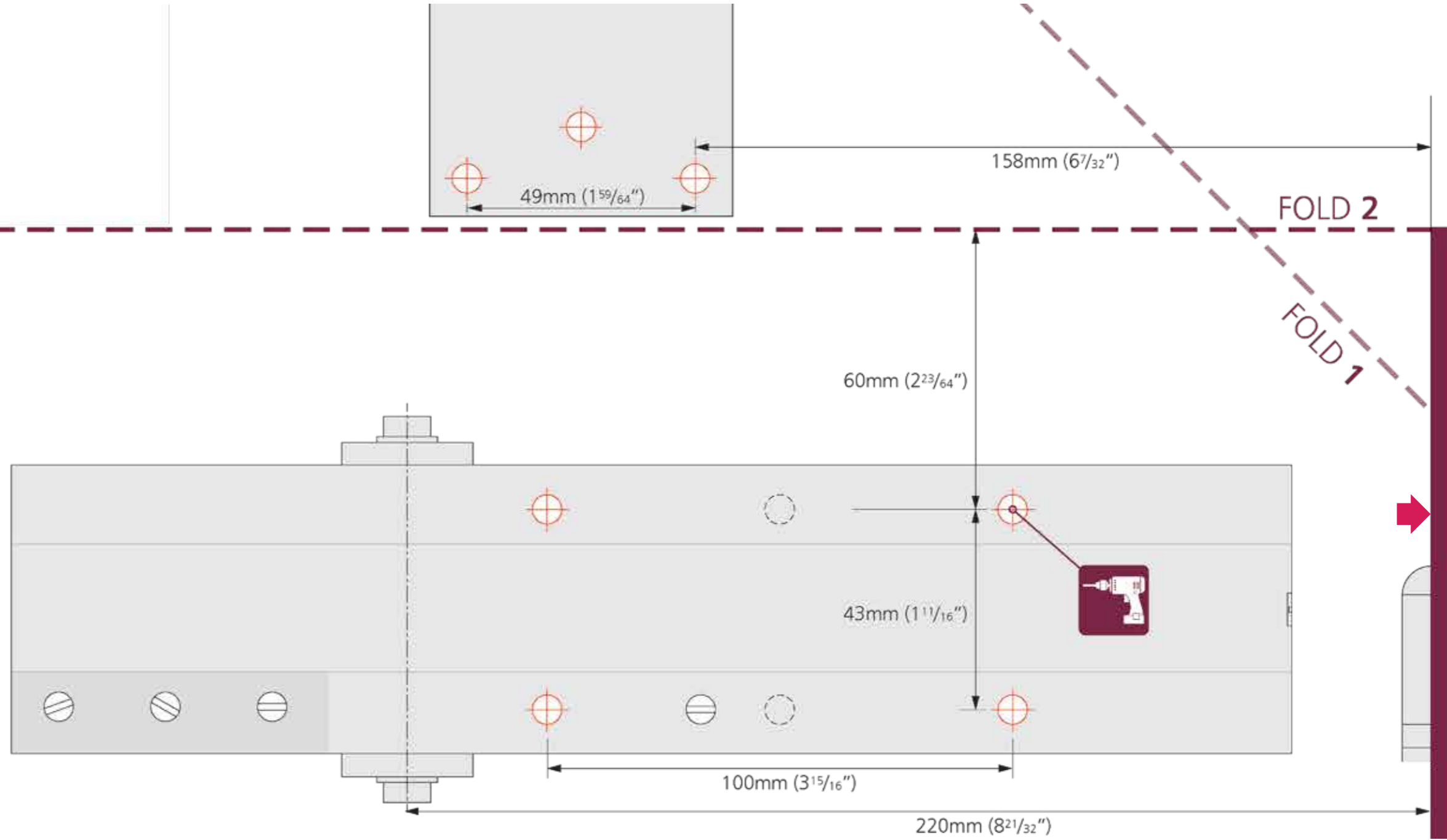
No. of turns	EN Size	Shoe Position	Max. door width	Max. opening angle	Max weight
-5	2	2	850mm	180°	45
+0	3	2	950mm	180°	60
+0	4	1	1100mm	180°	80
+3	5	1	1250mm	180°	110
+8	6	1	1400mm	110°	120

* FACTORY PRE-SET EN2: NOT SUITABLE FOR FIRE DOORS

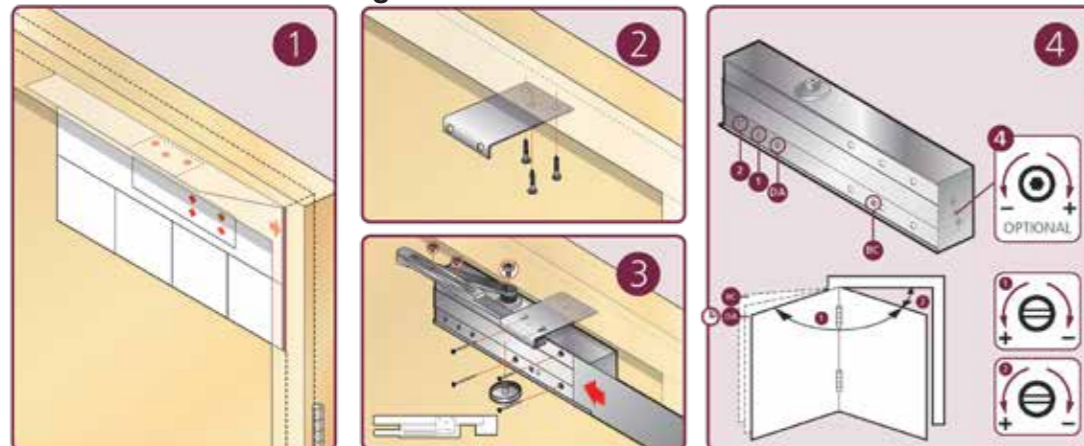
The Pinion Bolt must be tightened to 12NM.



Print at 100% scale



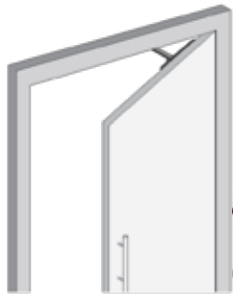
The Pinion Bolt must be tightened to 12NM.



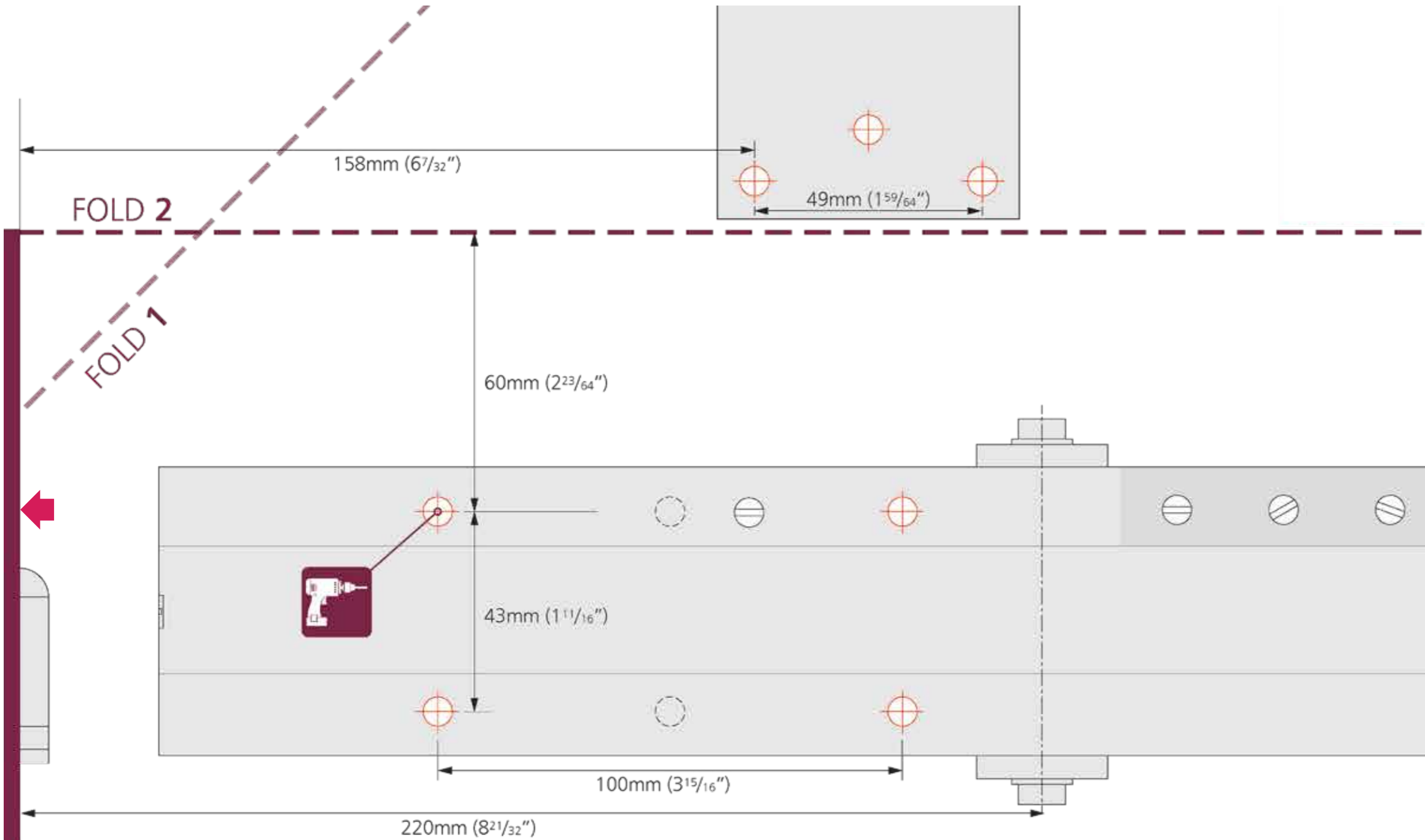
EN 2-6 Power Adjustment

No. of turns	EN Size	Max. door width	Max. opening angle	Max weight
-8	2	850mm	180°	45
-5	3	950mm	180°	60
+0	4	1100mm	180°	80
+3	5	1250mm	180°	110
+8	6	1400mm	110°	120

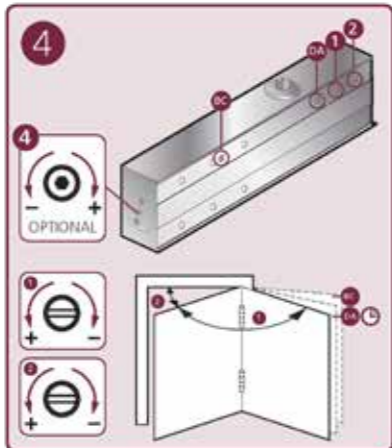
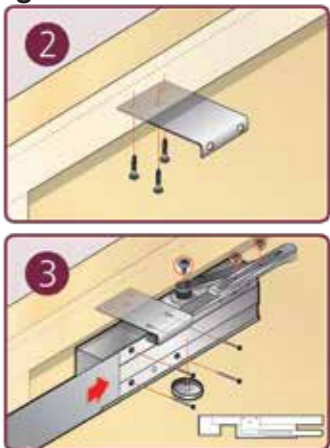
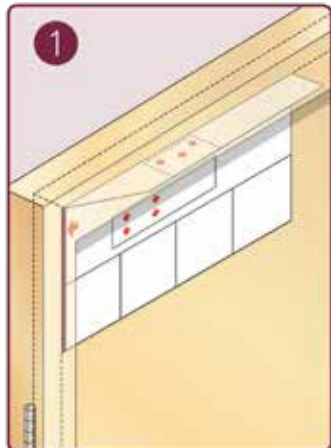
* FACTORY PRE-SET



Print at 100% scale



The Pinion Bolt must be tightened to 12NM.



EN 2-6 Power Adjustment

No. of turns	EN Size	Max. door width	Max. opening angle	Max weight
-8	2	850mm	180°	45
-5	3	950mm	180°	50
+0	4	1100mm	180°	80
+3	5	1250mm	180°	110
+8	6	1400mm	110°	120

* FACTORY PRE-SET ¹ EN2 NOT SUITABLE FOR FIRE DOORS