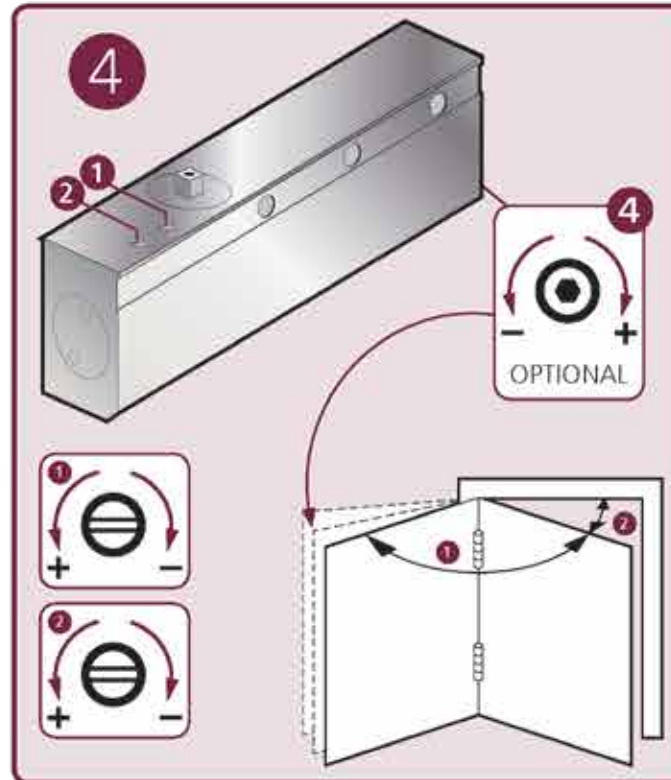
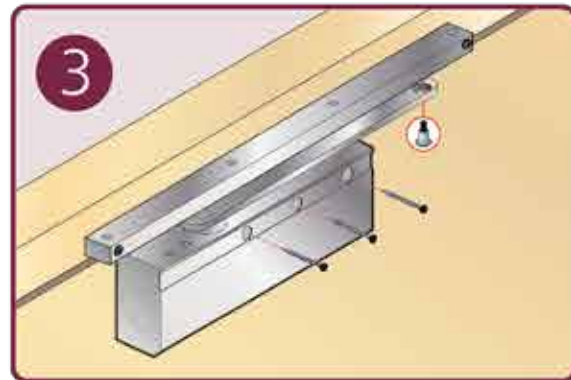
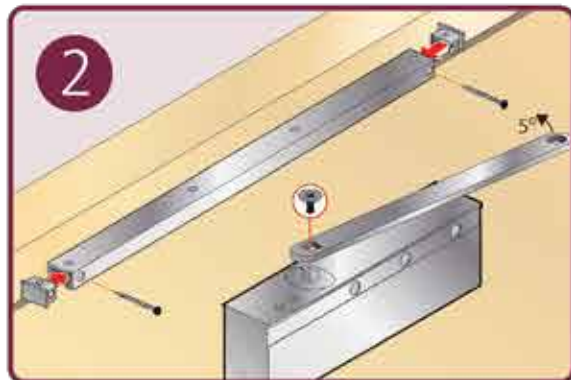
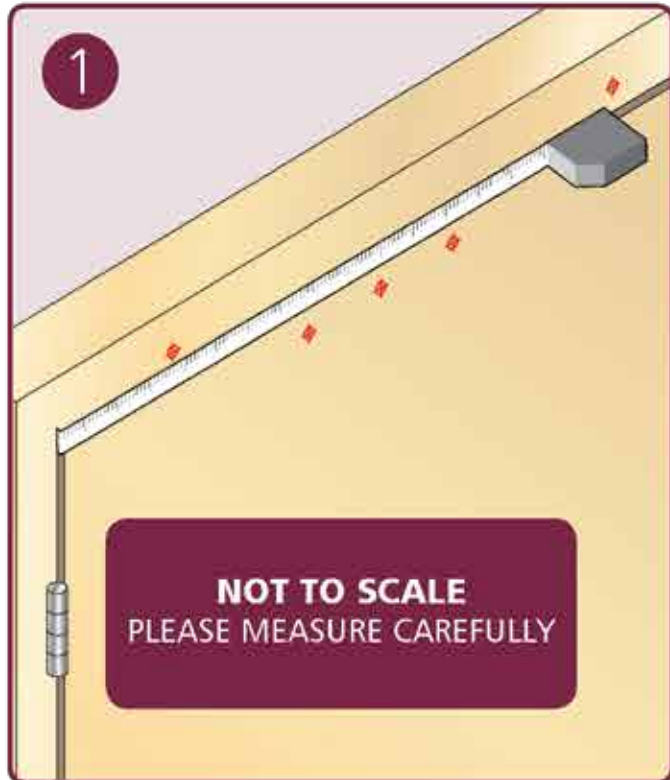
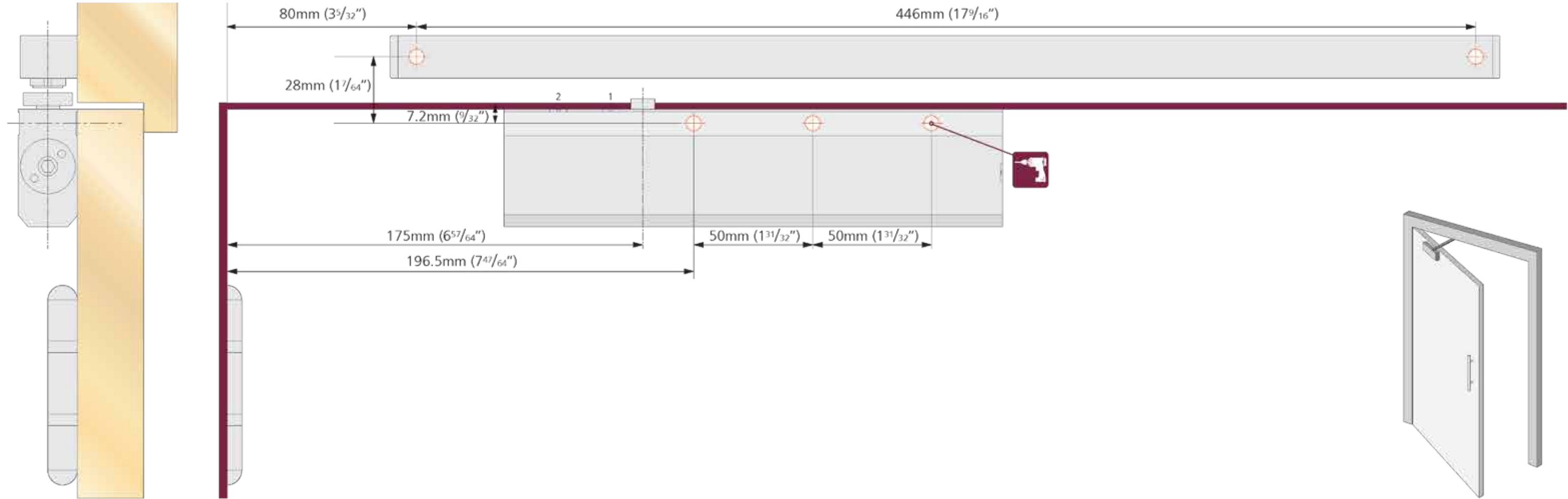


EN 2-4 Power Adjustment

4				
No. of turns	EN Size	Max. door width	Max. opening angle	Max weight
-4	2	850mm	110°	45
*0	3	950mm	110°	60
+6	4	1100mm	110°	80

* FACTORY PRE-SET

The Pinion Bolt must be tightened to 12NM.

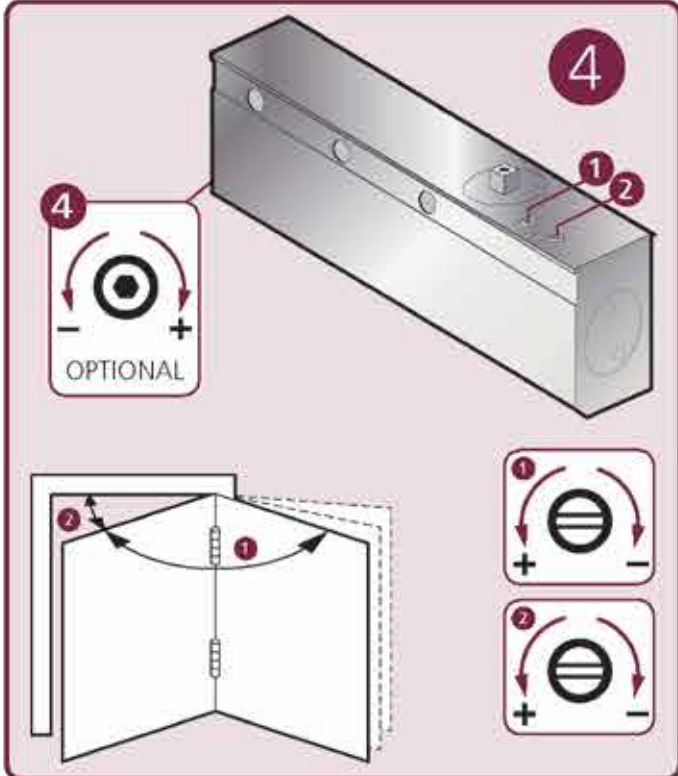
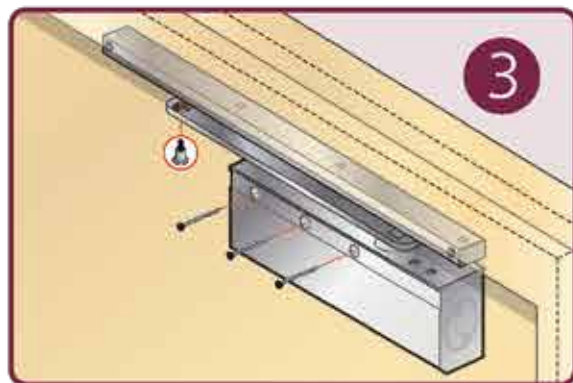
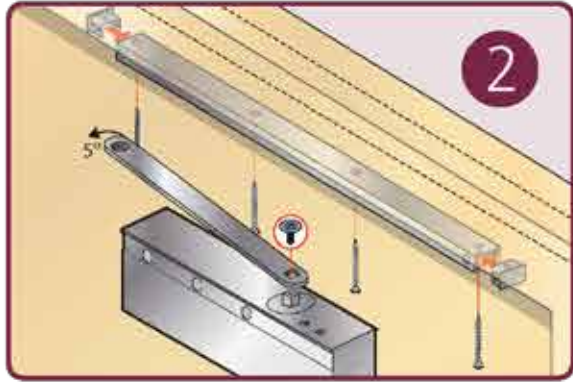
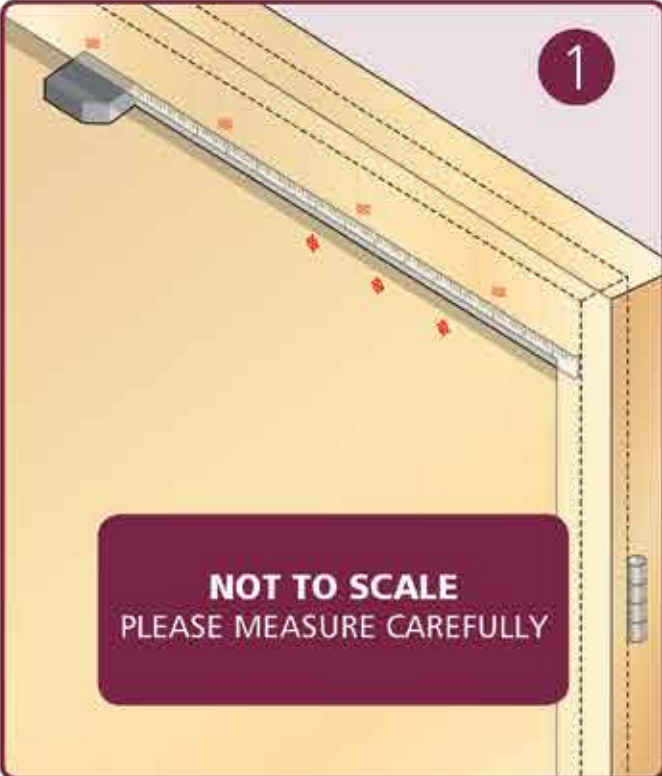
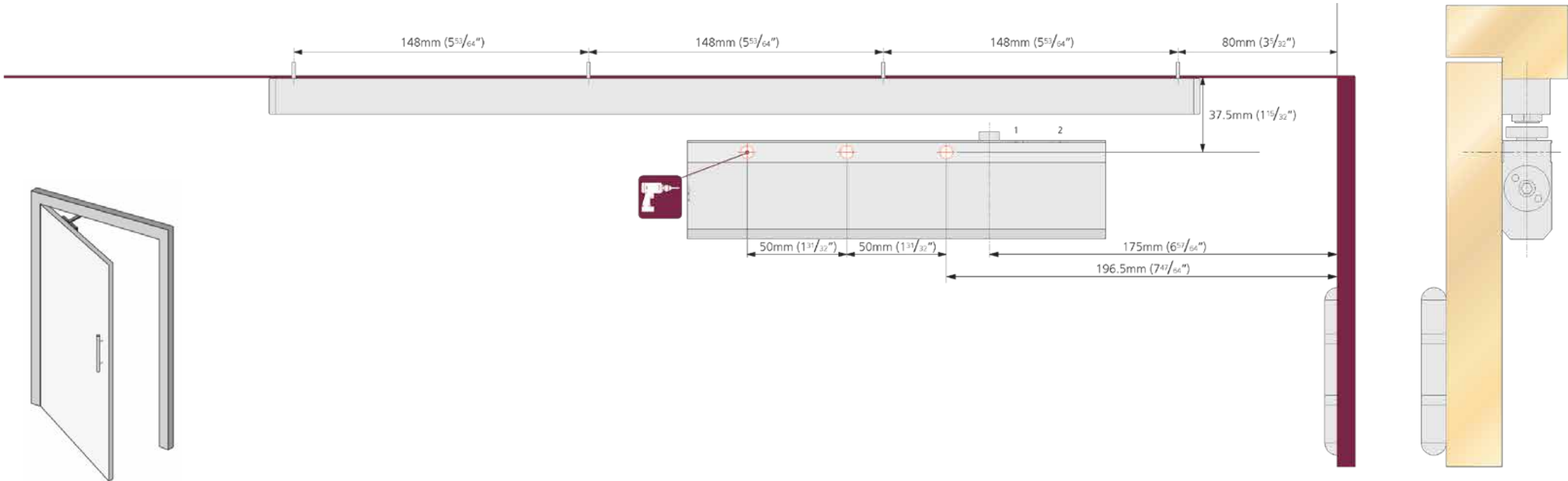


EN 2-4 Power Adjustment

4				
No. of turns	EN Size	Max. door width	Max. opening angle	Max weight
-4	2	850mm	110°	45
*0	3	950mm	110°	60
+6	4	1100mm	110°	80

* FACTORY PRE-SET.
EN2 NOT SUITABLE FOR FIRE DOORS

The Pinion Bolt must be tightened to 12NM.

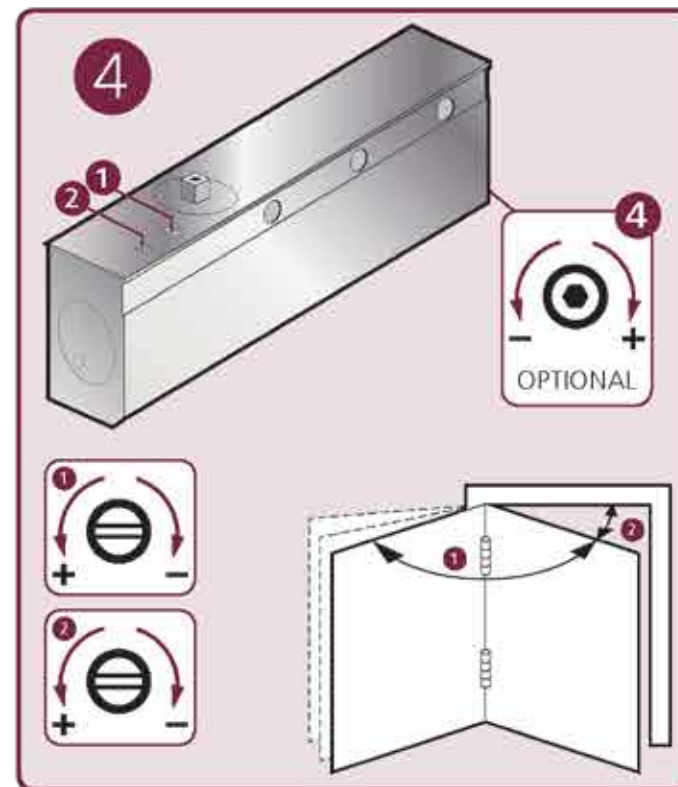
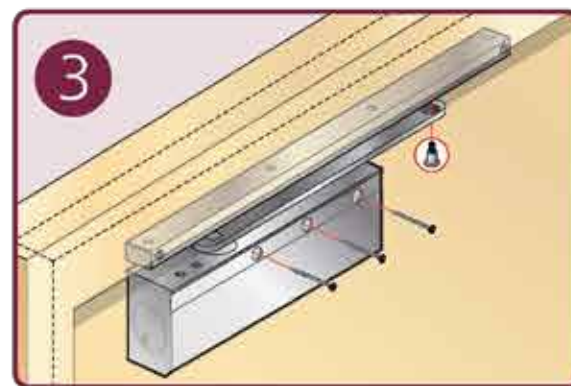
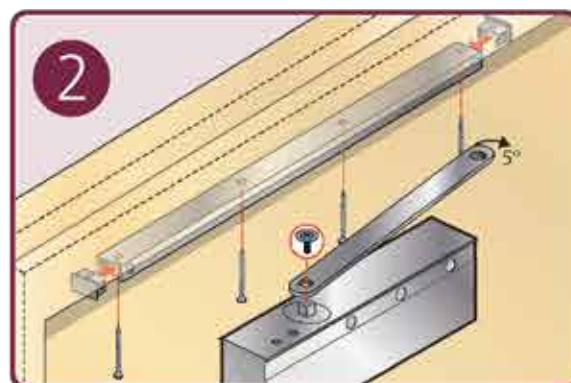
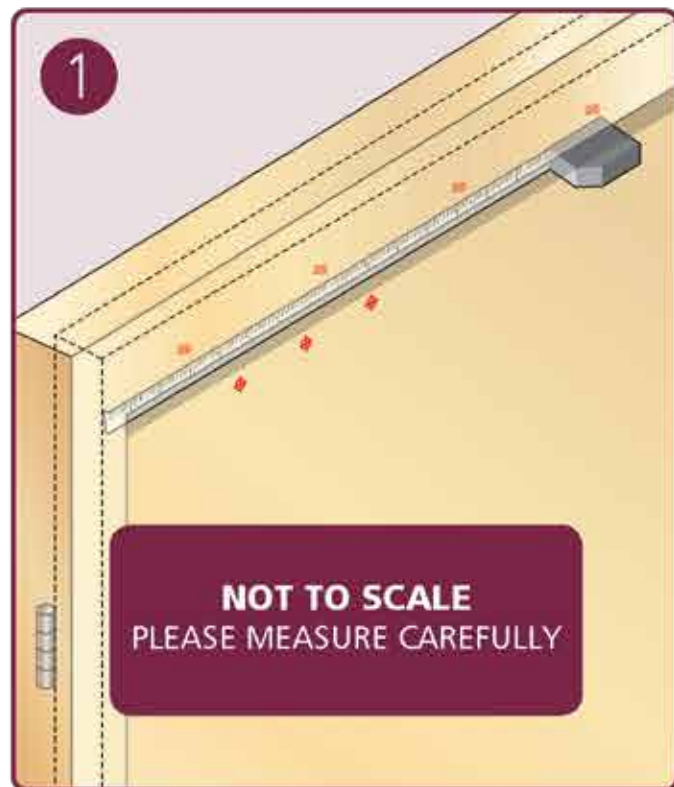
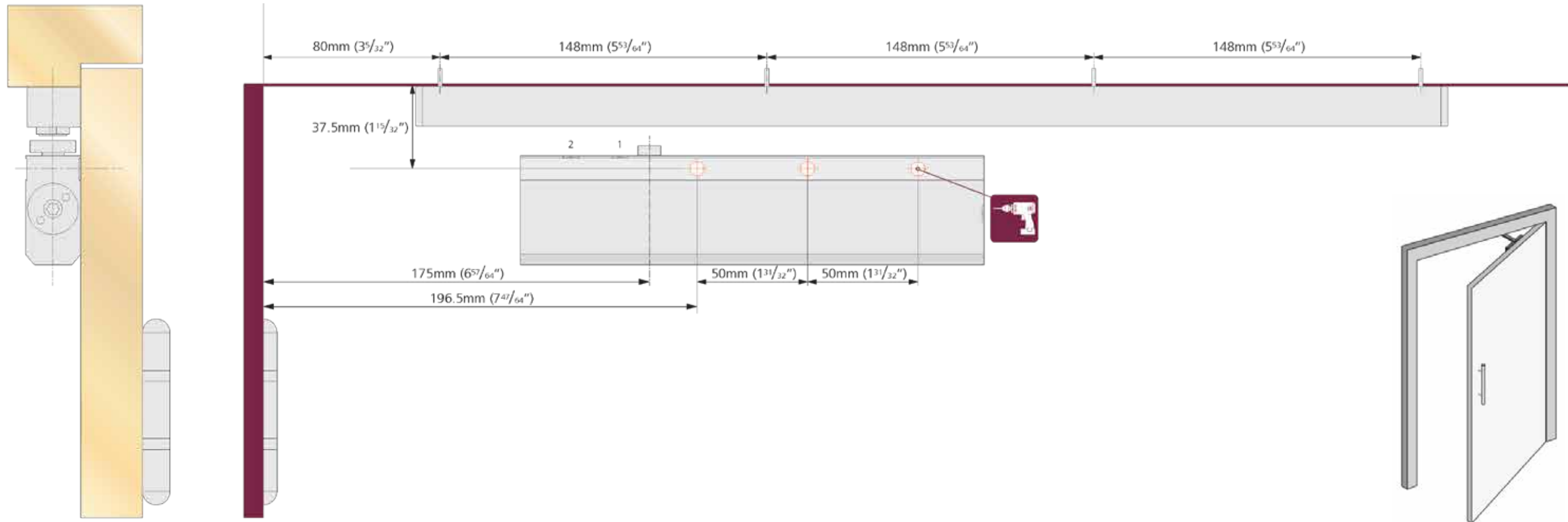


EN 2-4 Power Adjustment

No. of turns	EN Size	Max. door width	Max. opening angle	Max weight
-4	2	850mm	110°	45
+0	3	950mm	110°	60
+6	4	1100mm	110°	80

* FACTORY PRE-SET

The Pinion Bolt must be tightened to 12NM.



EN 2-4 Power Adjustment

4				
No. of turns	EN Size	Max. door width	Max. opening angle	Max weight
-4	2	850mm	110°	45
+0	3	950mm	110°	60
+6	4	1100mm	110°	80

* FACTORY PRE-SET
EN2 NOT SUITABLE FOR FIRE DOORS

The Pinion Bolt must be tightened to 12NM.