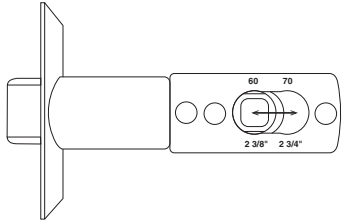
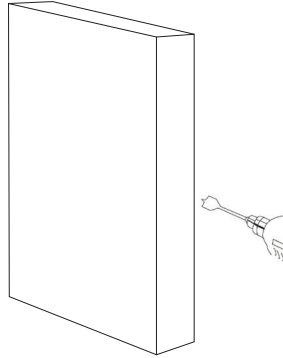


### HALO HYDRA ENTRANCE SET

Product codes: 9101



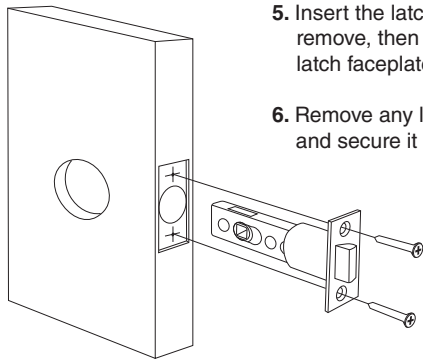
1. Change the position of the latch to 60mm or 70mm backset by sliding the latch body back and forth.



2. Fold the template where indicated on the door edge at the desired latch height. Firmly hold the template in place.

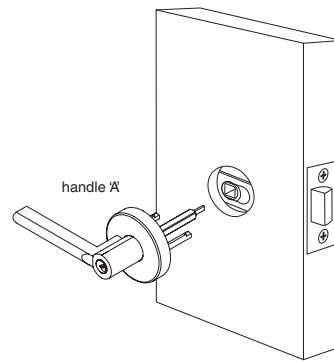
3. Drill a 25mm (1") diameter hole to a depth of at least 90mm through the door edge choosing the centre point of the correct door thickness. Ensure this hole is square to the door.

4. Drill a 54mm hole through the door face at the desired backset. We recommend using a 54mm hole saw. For clean cut-outs, drill from both sides, meeting in the middle of the door.

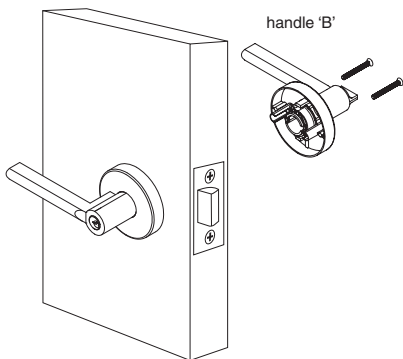


5. Insert the latch, scribe around the faceplate, remove, then chisel out recess to enable the latch faceplate to sit flush with the door edge.

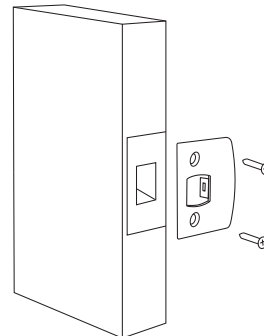
6. Remove any loose saw dust, insert the latch and secure it with the wood screws provided.



7. Insert handle 'A' with the spindle attached in the 54mm hole through the latch and press against the door.



8. Insert 'handle B' on the opposite side of the door over the spindle. Align the latch guide prongs and ensure the handles are straight before securing the through fixing screws.



9. Close the door against the frame and mark the latch position for fitting of the striker.

10. Router or chisel so the striker fits flush, allowing for the plastic dustbox behind the striker.

11. Secure the striker with the wood screws provided.

PLEASE PRINT AT 100% SCALE

