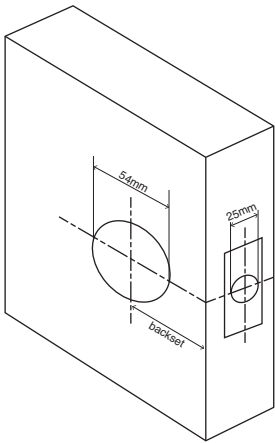
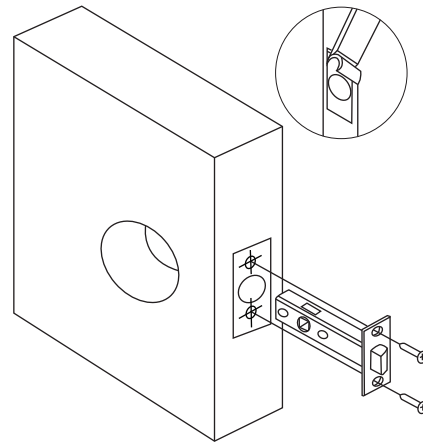


HALO INTEGRATED PRIVACY SET

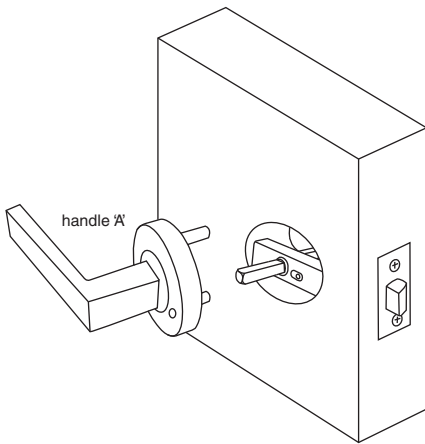
Product codes: 9205 | 9215 | 9225



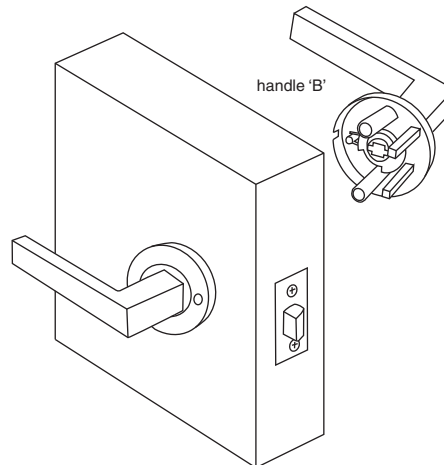
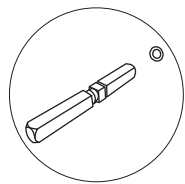
1. Measure the door thickness and mark the centre at the desired height for the latch.
2. Drill a 25mm (1") diameter hole through the door edge to a depth of at least 80mm. Ensure this hole is square to the door.
3. Mark the face of the door each side for drilling a 54mm diameter hole. The centre of the 54mm hole will need to be 60mm from the door edge (backset). We recommend using a 54mm hole saw. For clean cut-outs, drill from both sides, meeting in the middle of the door.



4. To change the handing of the latch, remove the outer faceplate, pull and rotate the latch tongue 180 degrees.
5. Insert the latch, scribe around the faceplate, remove, then chisel out recess to enable the latch faceplate to sit flush with the door edge.
6. Remove any loose saw dust and insert the latch, attach the faceplate and secure with the wood screws provided.

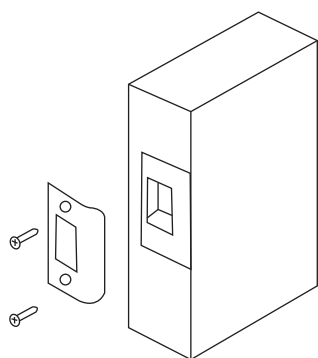


7. Remove the o-ring from the spindle. Insert the spindle into the latch so an even amount protrudes on each side of the door and slide the o-ring back onto the spindle.
8. Insert handle 'A' onto the spindle in the 54mm hole and press against the door.

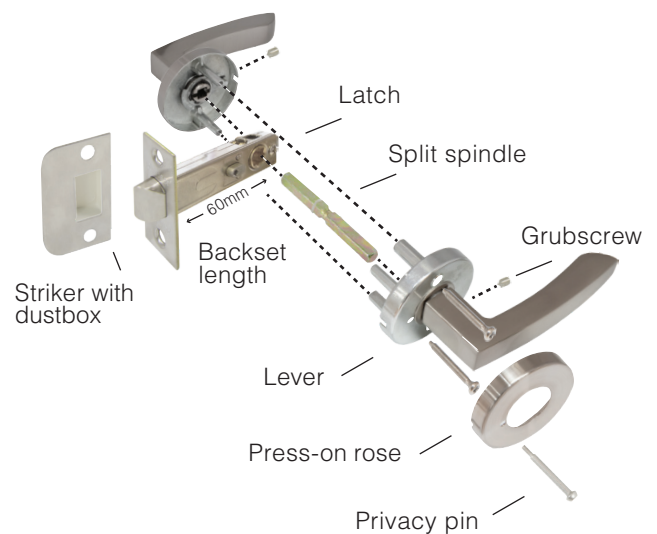


9. Insert 'handle B' over the spindle. Align latch guide prongs and ensure the handles are sitting straight on the door face before securing the through fixing screws.
10. Press the rose cover onto the handle and align the dimples on the sides of the rose. Ensure the integrated privacy pin hole is lined up. Tighten the grubscrews on the side of the levers onto the spindle for each side of the door.
11. Insert the integrated privacy pin through the rose and into the threaded slot on the latch.

Note: The grubscrews may need a re-tighten after a bedding-in period. We recommend medium strength thread-lock to be used, Windsor code: 1276

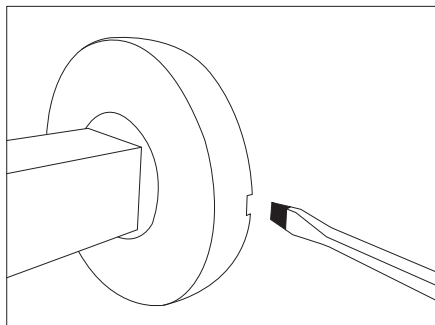


12. Close the door against the frame and mark the latch position for fitting of the strikercast.
13. Router or chisel so the strikercast fits flush, allowing for the plastic dustbox behind the strikercast.
14. Secure the strikercast with the wood screws provided. Test the door and if necessary, adjust the strikercast anti-rattle tab to take up any rattle.

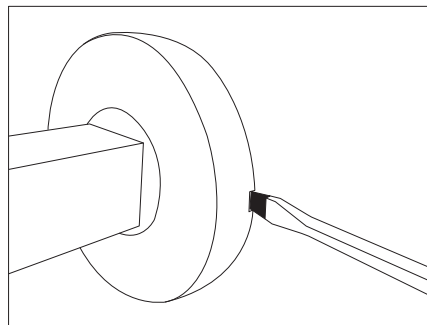


HALO - ROSE COVER REMOVAL

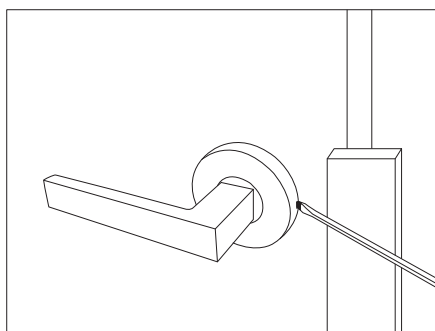
Product codes: 9205 | 9215 | 9225



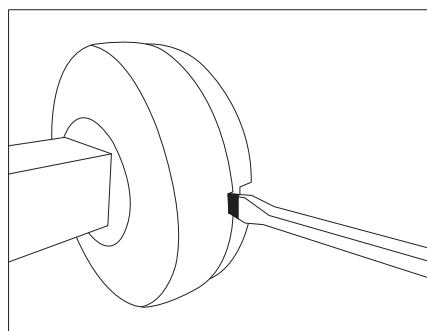
1. To remove the rose cover off the handle, use a flat head screwdriver, ideally the same width as the groove on the side of the rose.



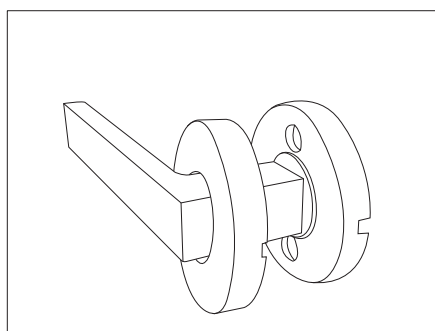
2. Insert the screwdriver into the groove on the side of the rose.



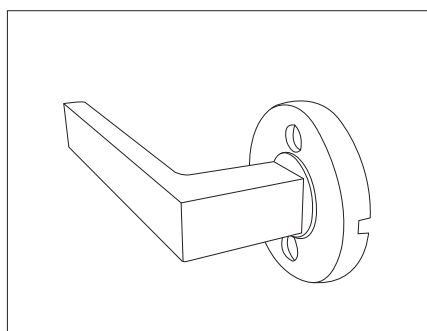
3. To protect the door from getting damaged, use a small wooden block or something similar and use the screwdriver as a lever.



4. Lever the rose cover off the handle. The rose cover will pop off.



5. Carefully slide the loose rose cover off the handle.



6. The screws can now be accessed and unscrewed.