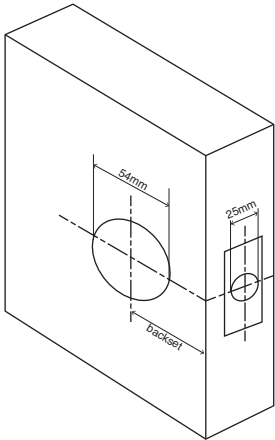
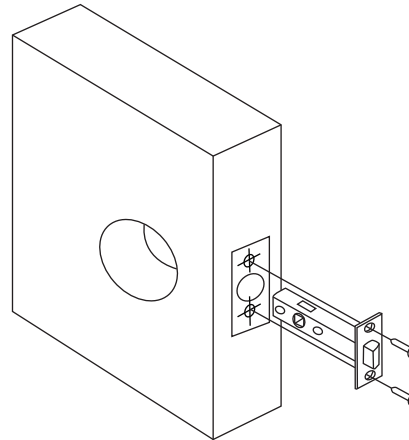


HALO PASSAGE SET

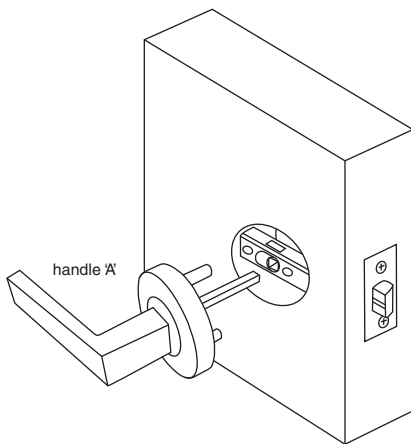
Product codes: 9202 | 9212 | 9222



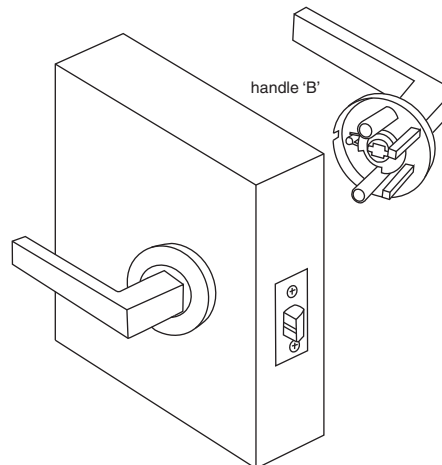
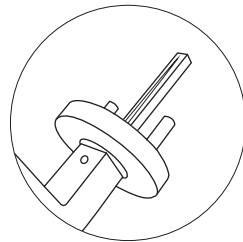
1. Measure the door thickness and mark the centre at the desired height for the latch.
2. Drill a 25mm (1") diameter hole through the door edge to a depth of at least 90mm. Ensure this hole is square to the door.
3. Mark the face of the door each side for drilling a 54mm diameter hole. The centre of the 54mm hole will need to be 60mm from the door edge (backset). We recommend using a 54mm hole saw. For clean cut-outs, drill from both sides, meeting in the middle of the door.



4. Insert the latch, scribe around the faceplate, remove, then chisel out recess to enable the latch faceplate to sit flush with the door edge.
5. Remove any loose saw dust, insert the latch and secure it with the wood screws provided.



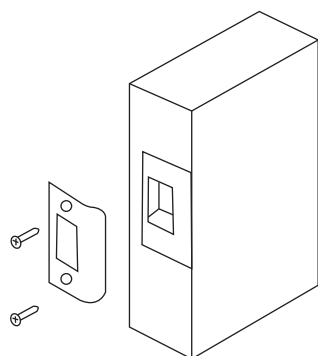
6. Insert handle 'A' in the 54mm hole with the spindle attached and press against the door. Ensure the grooved side of the spindle is aligned with the grub screws on the handles.



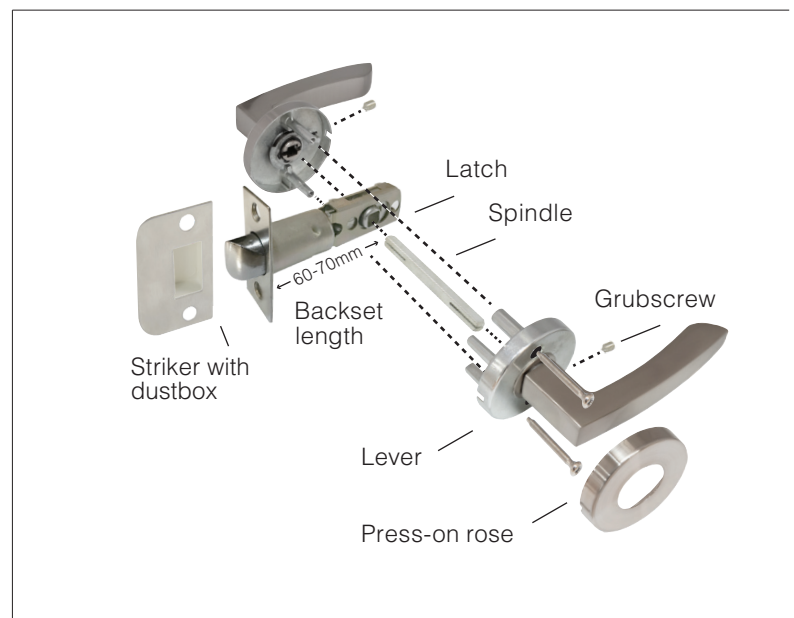
7. Insert 'handle B' over the spindle. Align latch guide prongs and ensure the handles are straight before securing the through fixing screws.

8. Press the rose cover onto the handle and align the dimples on the sides of the rose. Tighten the grub screws on the side of the levers onto the spindle for each side of the door.

Note: The grub screws may need a re-tighten after a bedding-in period. We recommend medium strength thread-lock to be used, Windsor code: 1276

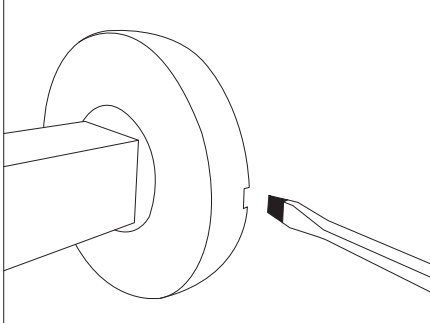


9. Close the door against the frame and mark the latch position for fitting of the striker.
10. Router or chisel so the striker fits flush, allowing for the plastic dustbox behind the striker.
11. Secure the striker with the wood screws provided. Test the door and if necessary, adjust the striker anti-rattle tab to take up any rattle.

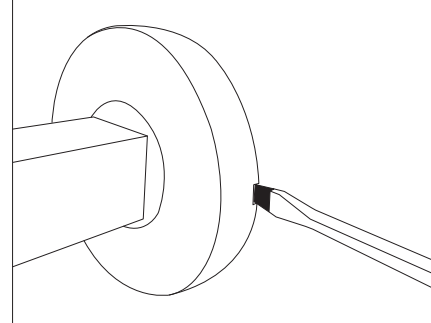


HALO - ROSE COVER REMOVAL

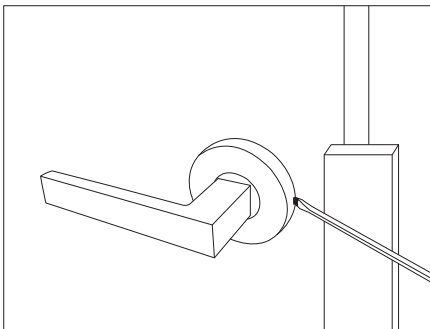
Product codes: 9202 | 9212 | 9222



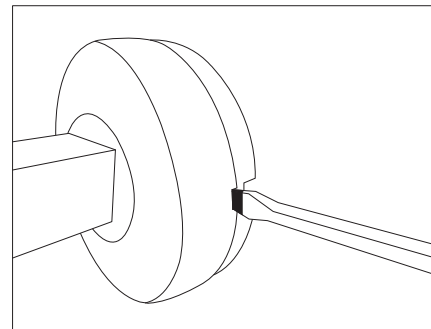
1. To remove the rose cover off the handle, use a flat head screwdriver, ideally the same width as the groove on the side of the rose.



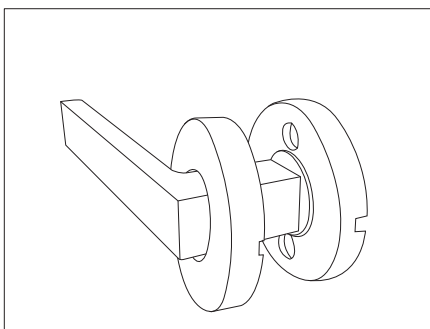
2. Insert the screwdriver into the groove on the side of the rose.



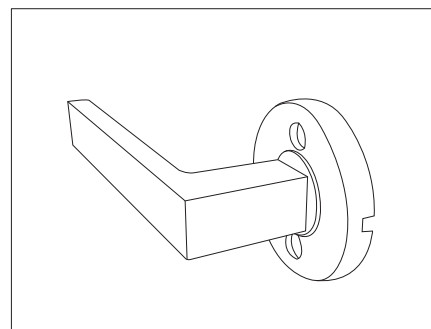
3. To protect the door from getting damaged, use a small wooden block or something similar and use the screwdriver as a lever.



4. Lever the rose cover off the handle. The rose cover will pop off.



5. Carefully slide the loose rose cover off the handle.



6. The screws can now be accessed and unscrewed.