

NIDO DUMMY LEVER Dummy Mount Spindle 1152

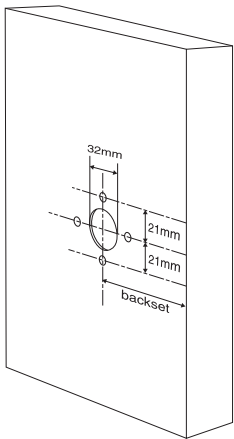
Product codes:

8401D | 8411D | 8421D | 8431D | 8441D

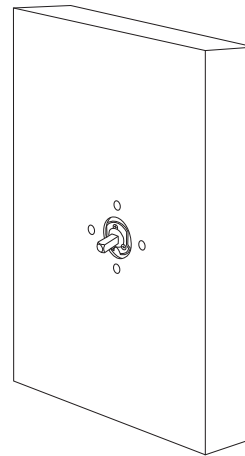
To view an easy to follow how-to video for installing this product visit windsorhardware.co.nz/installation.

Windsor 1152 8mm dummy fix mounts are designed to be recessed and screwed onto the door face, with the handle slipping over the top. The handle base plate is then screwed to, or bolted through the door.

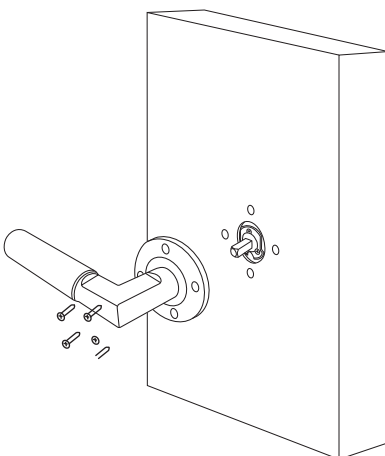
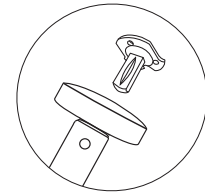
Note: It is important to ensure solid fixing is available for handle and dummy mount screws (especially for hollow core doors).



1. Establish the height and position for the handle on the door.
2. Mark the face of the door for drilling a 32mm diameter recess to a depth of 4mm. Match the backset measurement of the passage doors throughout your home. Mark and drill four pilot holes at 21mm above and below and to the sides of the centre of the recess.

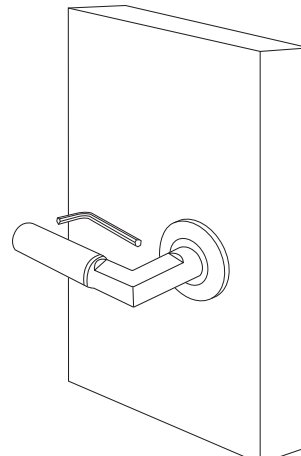


3. Fit the dummy spindle by drilling and fitting the three wood screws provided. Ensure the grooved side of the spindle will align with the grubscrew on the handle.



4. Slide the handle onto the spindle, ensuring that it sits straight on the door face and press against the door.
5. Install the handle by screwing the rose to the door with the wood screws provided.

Note: In some cases where through door bolts are provided, the door can be drilled both sides to accept the through screws.



6. Screw the rose cover onto the handle and tighten the grubscrew on the side of the lever onto the spindle.

Note: The grubscrews may need a re-tighten after a bedding-in period. We recommend medium strength thread-lock to be used, Windsor Code: 1276

Note: If the 1152 dummy fix mount is not fitted, there is no warranty on Nido dummy levers.