

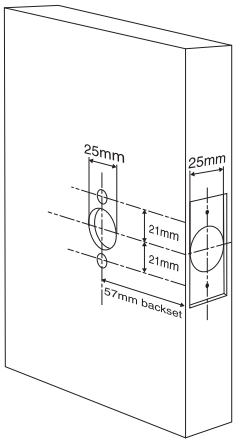
### NIDO ROUND ROSE PASSAGE SET

Recommended latch code 1172

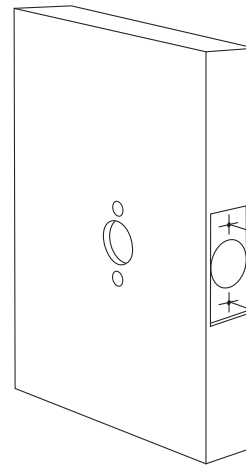
### Product codes:

8402 | 8412 | 8422 | 8432 | 8442

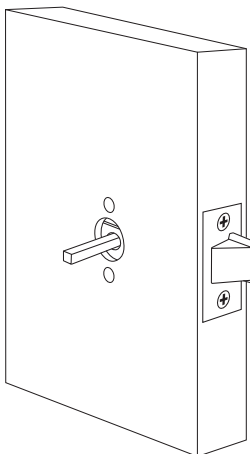
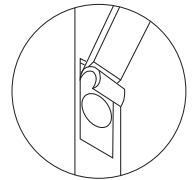
To view an easy to follow how-to video for installing this product visit [windsorhardware.co.nz/installation](http://windsorhardware.co.nz/installation).



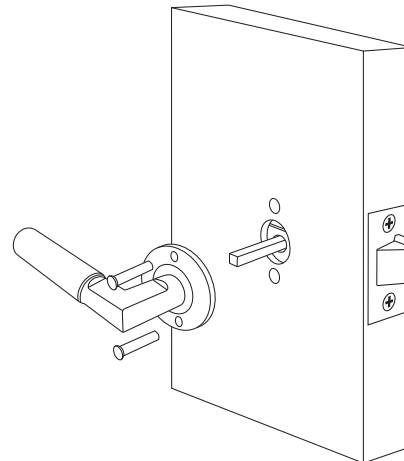
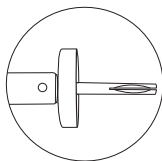
1. Measure the door thickness and mark the centre of the door edge at the desired height for the latch.
2. Drill a 25mm (1") diameter hole through the door edge to a depth of at least 90mm. Ensure this hole is square to the door.
3. Mark the face of the door each side for drilling a 25mm diameter spindle hole. The centre of the spindle hole will need to be 57mm from the door edge (backset). Mark two screw holes at 21mm above and below the centre of the spindle hole. Drill the screw holes to 6mm to accept the threaded sleeves. For clean cut-outs, drill from both sides, meeting in the middle of the door.



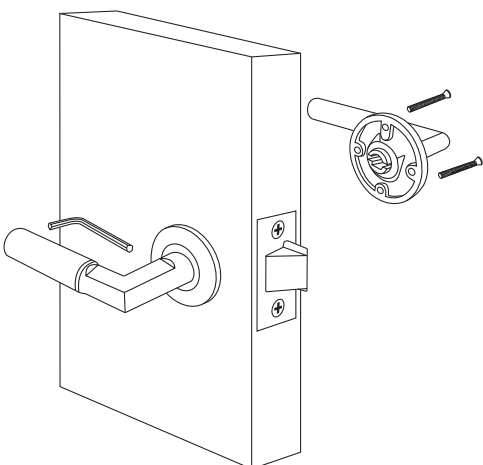
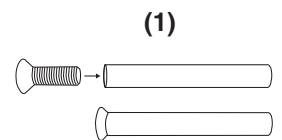
4. Insert the latch and faceplate, scribe around the faceplate, remove, then chisel out recess to enable the latch faceplate to sit flush with the door edge.
5. Remove any loose saw dust and insert the latch, attach the faceplate and secure it with the wood screws provided.



6. Insert the spindle into the latch so an even amount protrudes on each side of the door. Ensure the grooved side of the spindle is aligned with the grubscrews on the handles.

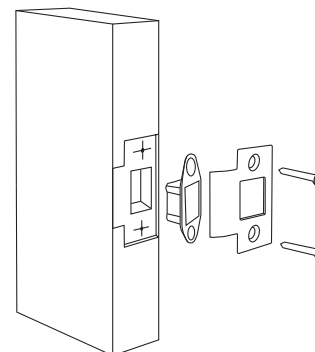


7. Choose either the blank or Philips head short through fixing bolts and insert those into the threaded sleeves (1). Then insert those sleeves through the face of the round rose. Slide the handle over the spindle and press against the door.



8. Slide the handle on the opposite side of the door over the spindle and press against the door. Insert the long bolts through the face of the round rose and tighten them into the threaded sleeves.
9. Screw the rose covers onto the handles and tighten the grubscrews on the side of the levers onto the spindle for each side of the door.

*Note: The grubscrews may need a re-tighten after a bedding-in period. We recommend medium strength thread-lock to be used, Windsor code:1276*



10. Close the door against the frame and mark the latch position for fitting of the striker.
11. Router or chisel so the striker fits flush, allowing for the plastic dustbox behind the striker.
12. Secure the striker with the wood screws provided.
13. Adjust the anti-rattle tab on the inside of the striker if necessary to ensure a firm close of the door.