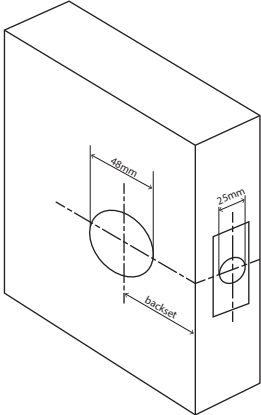
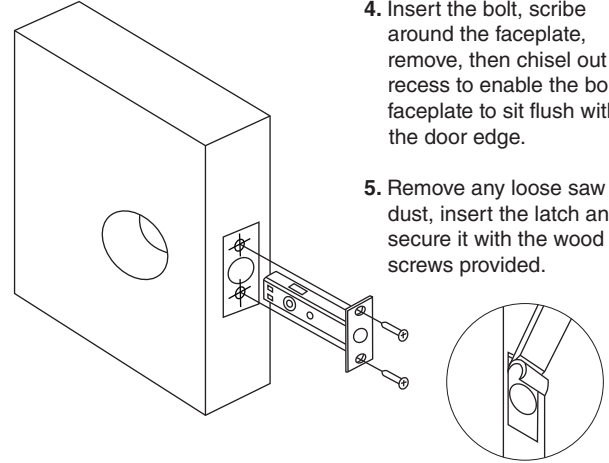


AUXILIARY PRIVACY SET

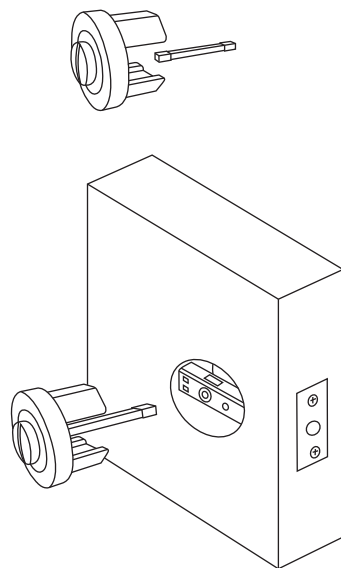
Product codes: 9034 | 9044



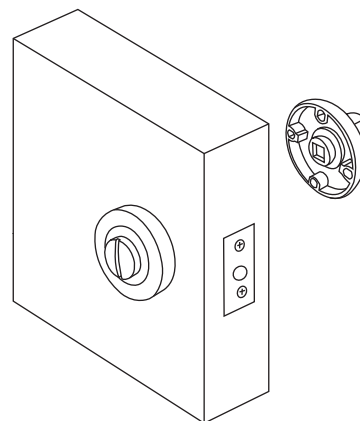
1. Measure the door thickness and mark the centre at the desired height for the bolt.
2. Drill a 25mm (1") diameter hole through the door edge to a depth of at least 90mm. Ensure this hole is square to the door.
3. Mark the face of the door each side for drilling a 48mm diameter hole. The centre of the spindle hole will need to be 60mm from the door edge (backset). We recommend using a 48mm hole saw. For clean cut-outs, drill from both sides, meeting in the middle of the door.



4. Insert the bolt, scribe around the faceplate, remove, then chisel out recess to enable the bolt faceplate to sit flush with the door edge.
5. Remove any loose saw dust, insert the latch and secure it with the wood screws provided.

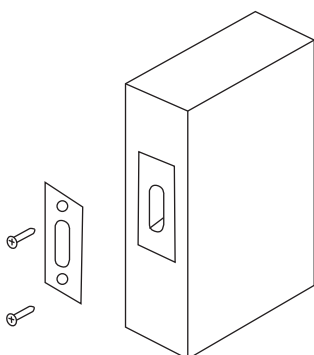


6. Insert the spindle into the base of the release.
7. Insert the release, with the rapidFIT® and spindle attached, into the 48mm hole and press against the door.



8. Insert the turn over the spindle. Ensure the turn and release are straight before securing the through fixing screws.
9. Screw the rose cover onto the turn and tighten the grubscrew onto the spindle. For the square rose press on the rose cover and tighten the grubscrew on the side of the rose.

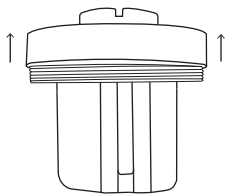
Note: The grubscrews may need a re-tighten after a bedding-in period. We recommend medium strength thread-lock to be used, Windsor code:1276



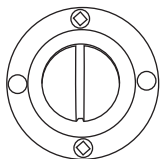
10. Close the door against the frame with the bolt extended and mark the bolt position for fitting of the striker.
11. Router or chisel so the striker fits flush.
12. Secure the striker with the wood screws provided.

AUXILIARY PRIVACY SET - rapidFIT REMOVED

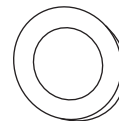
Product codes: 9034 | 9044



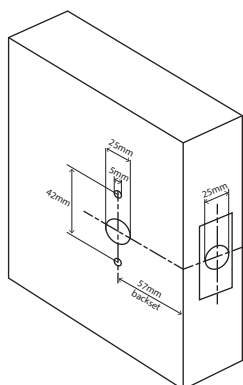
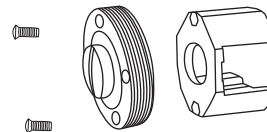
1. Remove the rose cover from the handle.
For the round roses unscrew rose cover.
For the square roses (Elite) unscrew the grub screw on the side of the rose and pop off the rose cover.



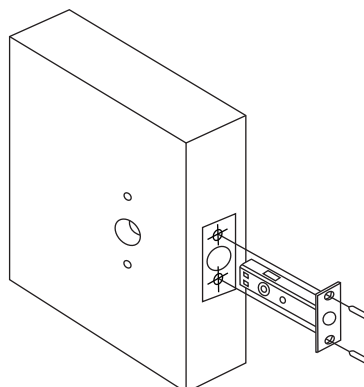
2. Remove the screws with the red screw head.



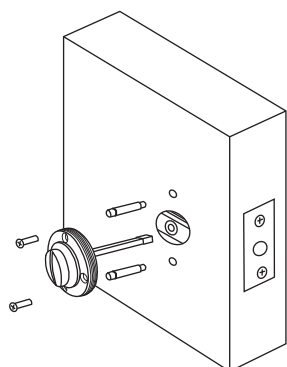
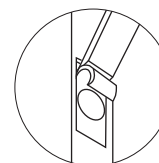
3. Remove the rapidFIT boss from the handle.



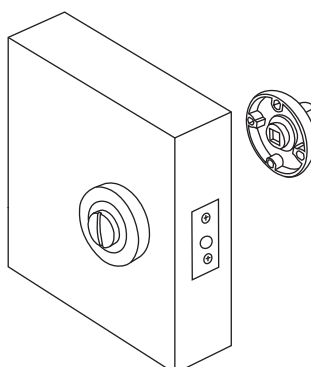
4. Measure the door thickness and mark the centre at the desired height for the bolt.
5. Drill a 25mm (1") diameter hole through the door edge to a depth of at least 90mm. Ensure this hole is square to the door.
6. Mark the face of the door each side for drilling a 25mm diameter spindle hole. Mark two 5mm screw holes at 12 o'clock and 6 o'clock vertical positions at 42mm crs. The centre of the spindle hole will need to be 60mm from the door edge (backset). For clean cut-outs, drill from both sides, meeting in the middle of the door.



7. Insert the bolt, scribe around the faceplate, remove, then chisel out recess to enable the latch faceplate to sit flush with the door edge.
8. Remove any loose saw dust, insert the latch and secure it with the wood screws provided.



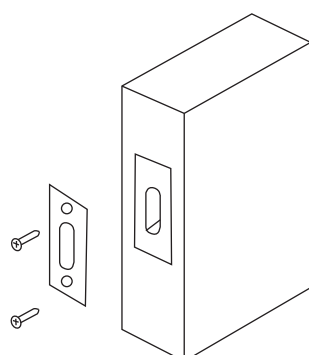
9. Unscrew the rose covers from the turn and release and unscrew the bolts from the threaded sleeves.
10. Insert the threaded sleeves into the oval holes in the back of the rose of the release at two vertical positions. Screw the short bolts from the top of the rose through into the threaded sleeves.



11. Slide the release over the spindle and press against the door.
12. Insert the turn on the opposite side of the door over the spindle and tighten the long bolts through the rose into the threaded sleeves.
13. Screw the rose cover onto the turn and tighten the grub screw onto the spindle. For the square rose press on the rose cover and tighten the grub screw on the side of the rose.



Note: The grub screws may need a re-tighten after a bedding-in period. We recommend medium strength thread-lock to be used. Windsor code: 1276



14. Close the door against the frame with the bolt extended and mark the bolt position for fitting of the striker.
15. Router or chisel so the striker fits flush.
16. Secure the striker with the wood screws provided.